

A trilogy of tube fittings solutions



Powering Business Worldwide

Table of contents

Contents	
Overview	3
Product Information, Specifications and Tube Selection	4
WALPro Detail	5
WALRing Detail	6
WALFORMplus Detail	7
Nuts, Ring and Seals	
WALPro - Nuts and Profile Rings	8
WALRing - System Nut	9
WALFORMplus - Nut and Captive Seals	10
Straights	
Stud Connectors	
Male Stud Connectors	11-18
Female Connectors	19-20
Gauge Connector	21
Unions	
Union Connectors	22-24
Swivel Unions	25-32
Weld Connectors	
Weldable Stud	33
Welding Nipple	34
Weldable Bulkhead Connector	35
Stud Standpipe Connectors	
Stud Standpipe Connector	36-38
Flange	
Flange Connector	39
Shaped	
Stud Elbows	
90 Degree Stud Connector	40-42
Unions / Swivels	
90 Degree Swivel Connector	43
90 Degree Union Connectors	44-45
Banjos	
Banjo - BSP	46
Banjo - Metric	47
Flange	
90 Degree Flange Connector	48
Tee & Cross	
Tee Connectors	49-50
Swivel Connectors	51-52
Equal Cross Connector	53
Caps, Plugs & Misc.	
Cap	
Cap-24 Degree	54
Plug	
Plug for Tube Ends - 24 Degree	55
Plug - BSPP	56
Plug - Metric Parallel	57
BSPP Reducer	
BSPP Reducer (Short)	58
BSPP Reducer (Long)	59
Swivel Gauge Connector	
Swivel Gauge Connector	60
Assembly Equipment & Tooling	
WALPro Pre-assembly Tool	61
WALRing Pre-assembly Tool	62
WALPro and WALRing Manual Pre-assembly Machine	63
WALFORMplus Machine and Tooling	64
Assembly Instructions	
WALPro Assembly Instructions	66
WALRing Assembly Instructions	67

Walterscheid® metric tube fittings



WALPro®



WALRing®



WALFORMplus®

Walterscheid Tube Fittings are available in a multiple of sizes and configurations while offering best-in-class pressure performance. This combination provides a product, which covers numerous markets and applications – a few are listed below:

Markets

- Agriculture
- Stationary/Industrial Equipment
- Construction
- General Hydraulics

Applications

- Harvester/Balers
- Machine Tool
- Hydraulic Presses
- Excavators
- Loaders
- Mining Equipment
- Concrete Pumpers
- Off-shore Equipment



Product information and specifications

All fitting components are built to ISO 8435-1 / DIN 2353 specifications.

Standard Fitting Material:

Steel

Standard Seal Material:

Viton

Sizes: 6mm to 42mm

(L-light & S-heavy Series)



WALPro®



WALRing®



WALFORMplus®

Pressure Ratings

(exceeds ISO 8434-1)

Series	Tube O.D.	bar (psi)
L-light	6	500 (7252)
	8	500 (7252)
	10	500 (7252)
	12	400 (5801)
	15	400 (5801)
	18	400 (5801)
	22	250 (3626)
	28	250 (3626)
	35	250 (3626)
	42	250 (3626)

Series	Tube O.D.	bar (psi)
S-heavy	6	800 (11603)
	8	800 (11603)
	10	800 (11603)
	12	630 (9137)
	16	630 (9137)
	20	420 (6091)
	25	420 (6091)
	30	420 (6091)
	38	420 (6091)

* The stated pressures refer to the connector. For the tubing, be certain to verify the pressure rating from the manufacturer.

Tube Selection

Use seamless cold drawn steel tubes made from material St. 37.4/St. 52.4 according to DIN 1630, type NBK-3.1 B. Tube materials or tolerances that differ from

those described above may lead to faulty assembly, reduced pressures, or complete failure of the connection.



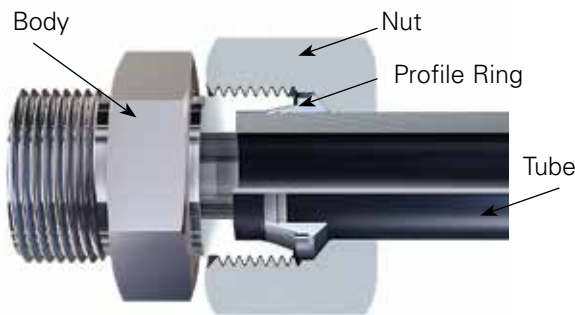
WALPro has redefined the standard of cutting ring technology. WALPro is a metric flareless tube fitting that consists of a body, profile ring and nut. During assembly, the two cutting edges of the profile ring penetrate the tube, creating a safe and reliable seal while the top area of the profile ring seals along the 24 degree surface of the fittings body.

Features

- Two Edge Cutting Ring
- Meets & exceeds DIN 2353 / ISO 8431-1 Requirements
- High axial strength profile ring
- Profile ring provide radial flexibility
- Limit stop assembly

Benefits

- Best-in-class pressure performance
- Connections meeting industry specifications
- No deformation during excess tightening
- Ensures a full 360 degree seal around the tube
- Easy and safe assembly

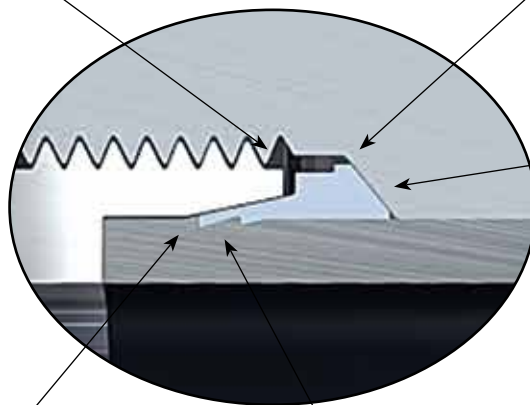


Limit Stop

- Minimizes over tightening

Radial Flex Ring Design

- Ensures even seal around the entire circumference of the tube



Large Shoulder Surface

- Minimizes seizing effect between nut & cutting ring
- Allows assembly load to be widely distributed

High Axial Strength Ring Design

- Eliminates deformation during excess tightening

2 Cutting Edges

- Force distributed over two edges results in higher pressure performance

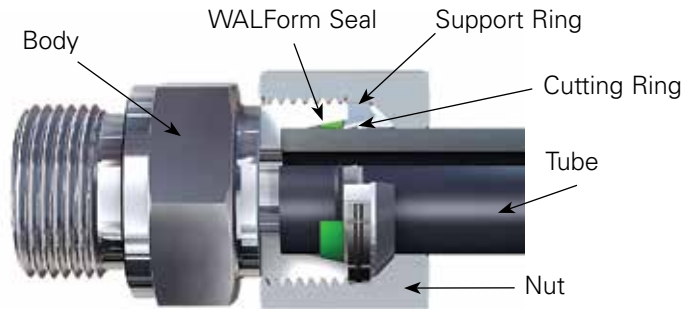
WALRing combines the advantages of two-edge cutting and proven soft seal technology. WALRing is a metric flareless tube fitting system that consists of a fitting body, system nut (containing a cutting ring and support ring) and viton soft seal. WALRing provides both the two edge cutting design found in the well-known WALPro system along with the proven soft seal utilized by the WALFORMplus system.

Features

- Two edge cutting ring
- WALFORM soft seal installed after pre-assembly
- Torque increase and support ring indicate proper assembly
- Hardened support ring providing minimum deflection
- System nut includes cutting ring and support ring

Benefits

- Best-in-class pressure performance
- Field proven; allows pre-assembled tube to be safely stored prior to installation
- Provides easy and reliable assembly for even inexperienced users
- Precise and consistent tube cutting
- Easy to handled and assembler friendly



Fitting Design Incorporated into Support Ring System

- Closes any gaps (holds tight) between support ring, cutting ring and tube. This allows the connection to withstand vibration and impulse
- Closes gland prior to final torque with eliminates soft seal extrusion gap

Hardened Support Ring

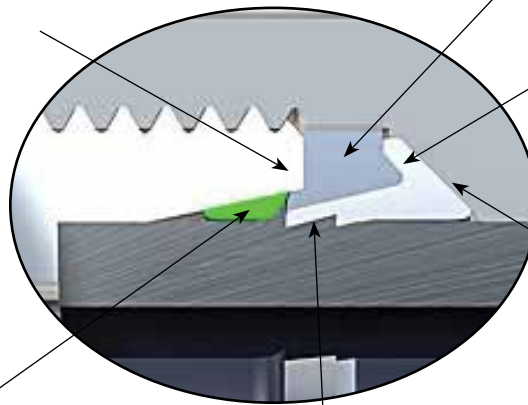
- Minimal deflection during assembly allows for consistent and precise cutting depths

45° Block Design

- Provides radial support of the cutting which prevents the back side of the cutting ring from deflecting (dive) into the tube

Large Shoulder Surface

- Minimizes seizing effect between nut & cutting ring
- Allows assembly load to be distributed over large surface



Proven WalForm Soft Seal

- Easy to exchange for repeated assembly
- Installed after pre-assembly to eliminate the possibility of damage to the seal

2 Cutting Edges

- Force distributed over two edges results in higher pressure performance
- Applicable for thinner walled tubes through reduced cutting depths compared to single edge cutting rings

WALFORMplus[®] detail

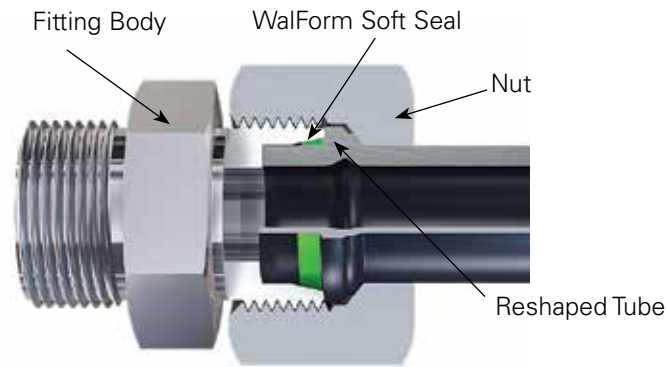
WALFORMplus consists of a fitting body, reshaped tube, viton soft seal and nut. WALFORMplus provides a primary elastomeric seal and metal-to-metal backup seal for added protection. In addition, the reshaped tube completely eliminates a leak path compared to other cutting ring systems and does not allow the potential for tube pull-out during excessive pressure and impulse applications.

Features

- Meets & exceeds DIN 2353 / ISO 8431-1 Requirements
- Primary captive seal with secondary metallic seal
- Reshaped tube – one piece
- Fewer Components
- Low Torque

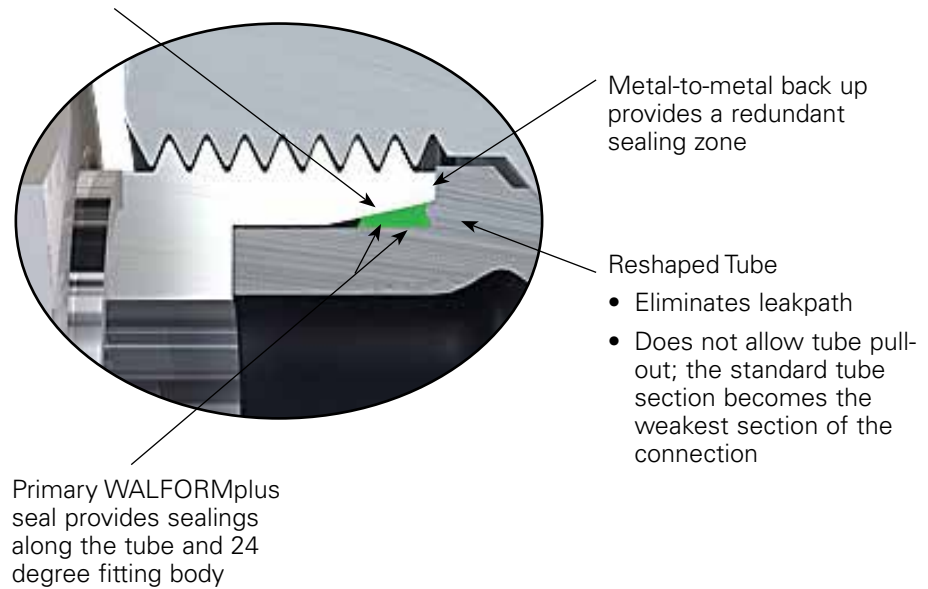
Benefits

- Connections meeting industry specifications
- Redundant sealing for improved performance
- Eliminates leak path and does not allow tube pull out
- Saves money
- Provides safe and easy assembly



Proven WalForm Soft Seal

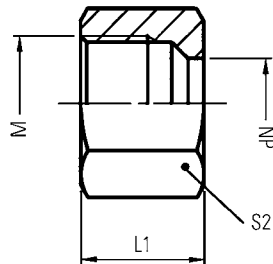
- Easy to exchange for repeated assembly



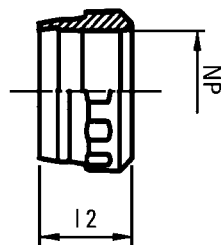
WALpro®

Nuts and profile rings

(A) Nut



(B) Profile Ring

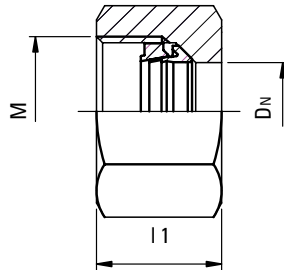


Series	Bar (psi)	Tube O.D.	(A) & (B)		(A)	(B)	M	I ₁	S ₂	I ₂
			Part Number	Type	Part Number	Part Number				
LL	100 (1450)	4	WAL626000	SR-M 4 LL	WAL039838	WAL039862	M 8 x 1,0	11,0	10	6,0
		6	WAL626001	SR-M 6 LL	WAL039840	WAL039864	M 10 x 1,0	11,5	12	7,0
		8	WAL626002	SR-M 8 LL	WAL039841	WAL039865	M 12 x 1,0	12,0	14	7,0
	500 7252	6	WAL626003	PR-M 6 L	WAL039842	WAL372404	M 12 x 1,5	14,5	14	9,8
		8	WAL626004	PR-M 8 L	WAL039843	WAL372405	M 14 x 1,5	14,5	17	9,5
L	400 (5801)	10	WAL626005	PR-M 10 L	WAL039844	WAL372406	M 16 x 1,5	15,5	19	10,0
		12	WAL626006	PR-M 12 L	WAL039845	WAL372407	M 18 x 1,5	15,5	22	9,5
		15	WAL626007	PR-M 15 L	WAL039846	WAL372408	M 22 x 1,5	17,0	27	9,8
	250 (3826)	18	WAL626008	PR-M 18 L	WAL039847	WAL372409	M 26 x 1,5	18,0	32	9,8
		22	WAL626009	PR-M 22 L	WAL039848	WAL372410	M 30 x 2,0	20,0	36	10,5
		28	WAL626010	PR-M 28 L	WAL039849	WAL372411	M 36 x 2,0	21,0	41	11,0
		35	WAL626011	PR-M 35 L	WAL039850	WAL372412	M 45 x 2,0	24,0	50	13,0
	800 (11603)	42	WAL626012	PR-M 42 L	WAL039851	WAL372413	M 52 x 2,0	24,0	60	13,0
		6	WAL626013	PR-M 6 S	WAL039852	WAL372404	M 14 x 1,5	16,5	17	9,8
		8	WAL626014	PR-M 8 S	WAL039853	WAL372405	M 16 x 1,5	16,5	19	9,5
S	630 9137	10	WAL626015	PR-M 10 S	WAL039854	WAL372406	M 18 x 1,5	17,5	22	10,0
		12	WAL626016	PR-M 12 S	WAL039855	WAL372407	M 20 x 1,5	17,5	24	9,5
	420 (6091)	16	WAL626018	PR-M 16 S	WAL039857	WAL372415	M 24 x 1,5	20,5	30	10,3
		20	WAL626019	PR-M 20 S	WAL039858	WAL372416	M 30 x 2,0	24,0	36	12,0
		25	WAL626020	PR-M 25 S	WAL039859	WAL372417	M 36 x 2,0	27,0	46	12,0
		30	WAL626021	PR-M 30 S	WAL039860	WAL372418	M 42 x 2,0	29,0	50	13,0
38	WAL626022	PR-M 38 S	WAL039861	WAL372419	M 52 x 2,0	32,5	60	13,0		

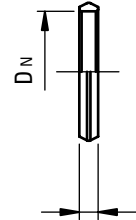
† = Run-to-order product. Contact your Eaton representative for details.

(A) System Nut

Note: System Nut Part Number includes both nut and captive seal



(B) Spare Captive Seals (Viton)



Series	Bar (psi)	Tube O.D.	(A) Part Number	M	I1	S2	(B) Part Number	I2
L	500 (7252)	6	WAL624607	M 12 x 1,5	14,5	14	WAL610871	2,70
		8	WAL624608	M 14 x 1,5	14,5	17	WAL610872	2,70
		10	WAL624609	M 16 x 1,5	15,5	19	WAL610873	2,95
	400 (5801)	12	WAL624610	M 18 x 1,5	15,5	22	WAL610874	2,95
		15	WAL624611	M 22 x 1,5	17,0	27	WAL610875	2,95
		18	WAL624612	M 26 x 1,5	18,0	32	WAL610877	2,95
	250 (3826)	22	WAL624613	M 30 x 2,0	20,0	36	WAL610879	2,95
		28	WAL624614	M 36 x 2,0	21,0	41	WAL610881	2,95
		35	WAL624615	M 45 x 2,0	24,0	50	WAL610883	3,50
42		WAL624616	M 52 x 2,0	24,0	60	WAL610885	3,50	
S	800 (11603)	6	WAL624617	M 14 x 1,5	16,5	17	WAL610871	2,70
		8	WAL624618	M 16 x 1,5	16,5	19	WAL610872	2,70
		10	WAL624619	M 18 x 1,5	17,5	22	WAL610873	2,95
	630 (9137)	12	WAL624620	M 20 x 1,5	17,5	24	WAL610874	2,95
		16	WAL624621	M 24 x 1,5	20,5	30	WAL610876	2,95
	420 (6091)	20	WAL624622	M 30 x 2,0	24,0	36	WAL610878	3,70
		25	WAL624623	M 36 x 2,0	27,0	46	WAL610880	3,70
		30	WAL624624	M 42 x 2,0	29,0	50	WAL610882	3,85
		38	WAL624625	M 52 x 2,0	32,5	60	WAL610884	3,50

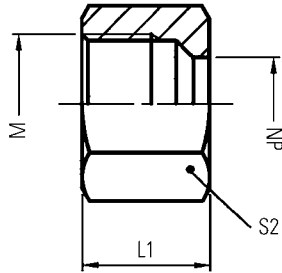
† = Run-to-order product. Contact your Eaton representative for details.

WALFORMplus®

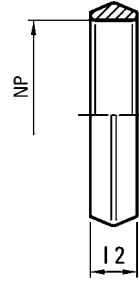
Nuts and captive seals

A Nut

Note: Both nut and seal are required for each connection



B Captive Seals (Viton)

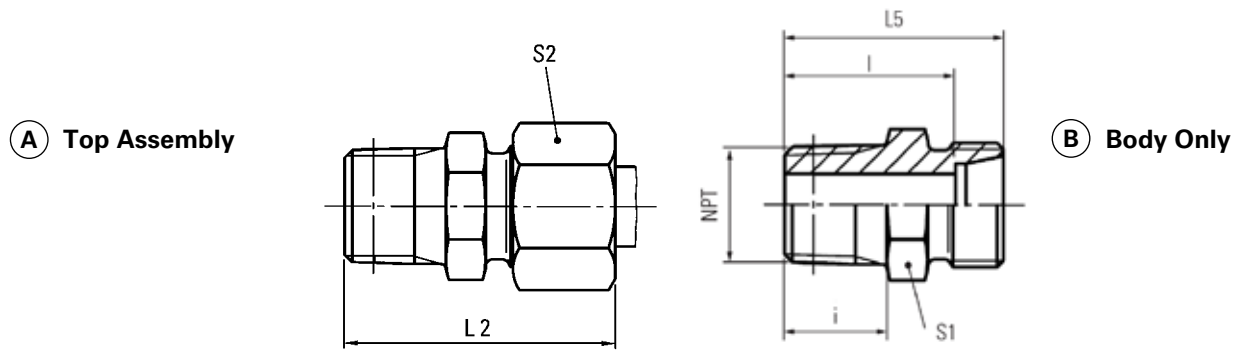


Series	Bar (psi)	Tube O.D.	A & B		A	M	I ₁	S ₂	I ₂	B
			Part Number	Type	Part Number					Part Number
L	500 (7252)	6	WAL625940	WF-M 6 L	WAL039842	M 12 x 1,5	14,5	2,70	14	WAL610871
		8	WAL625941	WF-M 8 L	WAL039843	M 14 x 1,5	14,5	2,70	17	WAL610872
		10	WAL625942	WF-M 10 L	WAL039844	M 16 x 1,5	15,5	2,95	19	WAL610873
	400 (5801)	12	WAL625943	WF-M 12 L	WAL039845	M 18 x 1,5	15,5	2,95	22	WAL610874
		15	WAL625944	WF-M 15 L	WAL039846	M 22 x 1,5	17,0	2,95	27	WAL610875
		18	WAL625945	WF-M 18 L	WAL039847	M 26 x 1,5	18,0	2,95	32	WAL610877
	250 (3826)	22	WAL625946	WF-M 22 L	WAL039848	M 30 x 2,0	20,0	2,95	36	WAL610879
		28	WAL625947	WF-M 28 L	WAL039849	M 36 x 2,0	21,0	2,95	41	WAL610881
		35	WAL625948	WF-M 35 L	WAL039850	M 45 x 2,0	24,0	3,50	50	WAL610883
42		WAL625949	WF-M 42 L	WAL039851	M 52 x 2,0	24,0	3,50	60	WAL610885	
S	800 (11603)	6	WAL625950	WF-M 6 S	WAL039852	M 14 x 1,5	16,5	2,70	17	WAL610871
		8	WAL625951	WF-M 8 S	WAL039853	M 16 x 1,5	16,5	2,70	19	WAL610872
		10	WAL625952	WF-M 10 S	WAL039854	M 18 x 1,5	17,5	2,95	22	WAL610873
	630 (9137)	12	WAL625953	WF-M 12 S	WAL039855	M 20 x 1,5	17,5	2,95	24	WAL610874
		16	WAL625954	WF-M 16 S	WAL039857	M 24 x 1,5	20,5	2,95	30	WAL610876
	420 (6091)	20	WAL625955	WF-M 20 S	WAL039858	M 30 x 2,0	24,0	3,70	36	WAL610878
		25	WAL625956	WF-M 25 S	WAL039859	M 36 x 2,0	27,0	3,70	46	WAL610880
		30	WAL625957	WF-M 30 S	WAL039860	M 42 x 2,0	29,0	3,85	50	WAL610882
		38	WAL625958	WF-M 38 S	WAL039861	M 52 x 2,0	32,5	3,50	60	WAL610884

† = Run-to-order product. Contact your Eaton representative for details.

Male stud connector

Male NPT/24°



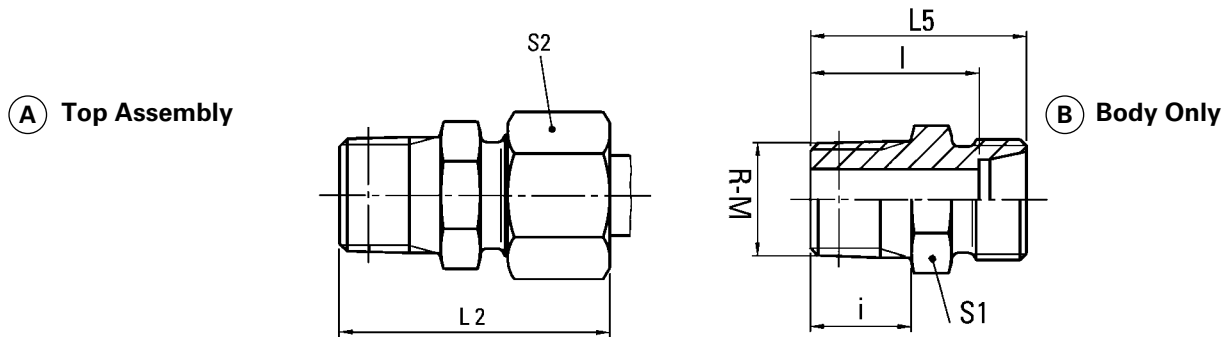
Series	Bar (psi)	Tube O.D.	NPT	(A) Part Number	(B) Part Number	L ₂	L ₅	l	i	S ₁	S ₂	
LL	100 (1450)	4	1/8 NPT	WAL038241†	WAL037528†	28	22	18,0	10	11	10	
		6	1/8 NPT	WAL038243	WAL037530	28	22	16,5	10	11	12	
		8	1/8 NPT	WAL038244	WAL037531	30	24	18,5	10	12	14	
L	315 (4563)	6	1/8 NPT	WAL373026	WAL037532	32	24	17,0	10	12	14	
		6	1/4 NPT	WAL373027	WAL037533	38	30	23,0	15	17	14	
		8	1/4 NPT	WAL373028	WAL037534	38	30	23,0	15	17	17	
		10	1/4 NPT	WAL373029	WAL037535	39	31	24,0	15	17	19	
		10	3/8 NPT	WAL373030	WAL037536	40	32	25,0	15	19	19	
		12	1/4 NPT	WAL373031	WAL037537	40	32	25,0	15	19	22	
		12	3/8 NPT	WAL373032	WAL037538	40	32	25,0	15	19	22	
		12	1/2 NPT	WAL373033	WAL037539	45	37	30,0	20	24	22	
		15	1/2 NPT	WAL373034	WAL037540	46	38	31,0	20	24	27	
		18	1/2 NPT	WAL373035	WAL037541	48	39	31,5	20	27	32	
		160 (2321)	22	3/4 NPT	WAL373036	WAL037542	50	41	33,5	20	32	36
			28	1 NPT	WAL373037	WAL037543	56	47	39,5	25	41	41
			35	1 3/4 NPT	WAL373038	WAL037544	62	51	40,5	26	46	50
			42	1 1/2 NPT	WAL373039†	WAL037545†	65	53	42,0	26	55	60
S	630 9137	6	1/4 NPT	WAL373040	WAL037546	43	35	28,0	15	17	17	
		8	1/4 NPT	WAL373041	WAL037547	43	35	28,0	15	17	19	
	400 5801	10	1/4 NPT	WAL373042	WAL037548	44	35	27,5	15	19	22	
		10	3/8 NPT	WAL373043	WAL037549	44	35	27,5	15	19	22	
		12	1/4 NPT	WAL373044	WAL037550	46	37	29,5	15	22	24	
		12	3/8 NPT	WAL373045	WAL037551	46	37	29,5	15	22	24	
		12	1/2 NPT	WAL373046	WAL037552	51	42	34,5	20	22	24	
		16	1/2 NPT	WAL373048	WAL037554	54	44	35,5	20	27	30	
		20	3/4 NPT	WAL373049	WAL037555	59	48	37,5	20	32	36	
	315 (4569)	25	1 NPT	WAL373050	WAL037556	69	57	45,0	25	41	46	
		30	1 1/4 NPT	WAL373051	WAL037557	73	60	46,5	26	46	50	
		38	1 1/2 NPT	WAL373052†	WAL037558†	80	65	49,0	26	55	60	

L₂ = approximate length with nut tightened.

† = Run-to-order product. Contact your Eaton representative for details.

Male stud connector

BSP taper/24°



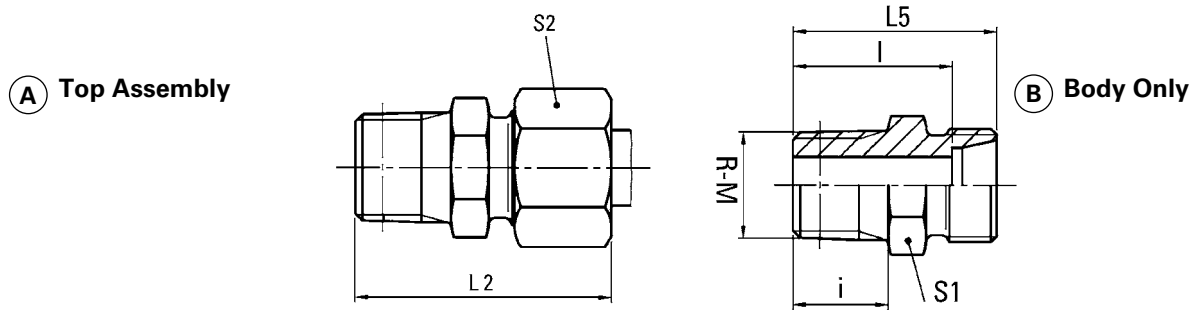
Series	Bar (psi)	Tube O.D.	R-M	(A) Part Number	(B) Part Number	L2	L5	I	i	S1	S2
LL	100 (1450)	4	R 1/8 keg	WAL038218	WAL037505	25,5	20	16,0	8	10	10
		6	R 1/8 keg	WAL038220	WAL037507	26,0	20	14,5	8	11	12
		8	R 1/8 keg	WAL038221	WAL037508	28,0	22	16,5	8	12	14
L	250 (3626)	6	R 1/4 keg	WAL373003	WAL037509	34,5	27	20,0	12	14	14
		8	R 1/4 keg	WAL373004	WAL037510	34,5	27	20,0	12	14	17
		8	R 3/8 keg	WAL373005 [†]	WAL037511 [†]	34,5	27	20,0	12	17	17
		10	R 1/4 keg	WAL373006	WAL037512	35,5	28	21,0	12	17	19
		10	R 3/8 keg	WAL373007	WAL037513	35,5	28	21,0	12	17	19
		12	R 1/4 keg	WAL373008	WAL037514	36,5	29	22,0	12	19	22
		12	R 3/8 keg	WAL373009	WAL037515	36,5	29	22,0	12	19	22
		12	R 1/2 keg	WAL373010	WAL037516	38,5	31	24,0	14	22	22
		15	R 1/2 keg	WAL373011	WAL028100	40,0	32	25,0	14	24	27

L2 = approximate length with nut tightened

[†] = Run-to-order product. Contact your Eaton representative for details.

Male stud connector

Metric taper/24°



Series	Bar (psi)	Tube O.D.	R-M	(A)	(B)	L ₂	L ₅	I	i	S ₁	S ₂
				Part Number	Part Number						
LL	100 (1450)	4	M 8 x 1,0 keg	WAL038230	WAL037517	25,5	20	16,0	8	10	10
		6	M 10 x 1,0 keg	WAL038232	WAL037519	26,0	20	14,5	8	11	12
		8	M 10 x 1,0 keg	WAL038233	WAL037520	28,0	22	16,5	8	12	14
L	250 (3626)	6	M 12 x 1,5 keg	WAL373015 [†]	WAL037521 [†]	34,5	27	20,0	12	14	14
		8	M 12 x 1,5 keg	WAL373016	WAL037522	34,5	27	20,0	12	14	17
		8	M 14 x 1,5 keg	WAL373017	WAL037523	34,5	27	20,0	12	17	17
		10	M 14 x 1,5 keg	WAL373018	WAL037524	35,5	28	21,0	12	17	19
		10	M 16 x 1,5 keg	WAL373019 [†]	WAL037525 [†]	35,5	28	21,0	12	17	19
		12	M 16 x 1,5 keg	WAL373020	WAL037526	36,5	29	22,0	12	19	22
		12	M 18 x 1,5 keg	WAL373021 [†]	WAL037527 [†]	36,5	29	22,0	12	19	22

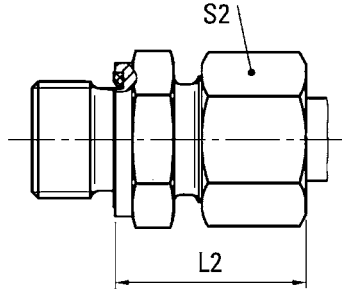
L₂ = approximate length with nut tightened

[†] = Run-to-order product. Contact your Eaton representative for details.

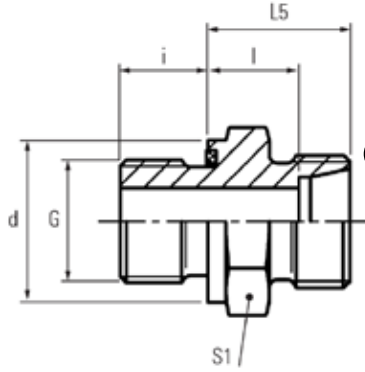
Male stud connector

BSPB with seal
(NBR)/24°

(A) Top Assembly



(B) Body Only



Series	Bar (psi)	Tube O.D.	DIN-ISO 228 (R...,DIN 259) G	(A)	(B)	L5	L2	I	d	i	S1	S2
				Part Number	Part Number							
L	500 (7252)	6	G 1/8 A	WAL373115	WAL037615	15,5	23,0	8,5	8	13,9	14	14
		6	G 1/4 A	WAL605925	WAL606456	17,0	24,5	10,0	12	18,9	19	14
		8	G 1/4 A	WAL373116	WAL037616	17,0	25,0	10,0	12	18,9	19	17
		8	G 1/8 A	WAL605926	WAL606457	16,5	24,0	9,5	8	13,9	14	17
	400 (5801)	8	G 3/8 A	WAL605927	WAL606458	18,5	26,0	11,5	12	21,9	22	17
	500 (7252)	10	G 1/4 A	WAL373117	WAL037617	18,0	26,0	11,0	12	18,9	19	19
		10	G 3/8 A	WAL602560	WAL027596	19,5	27,0	12,5	12	21,9	22	19
		10	G 1/2 A	WAL605928	WAL606414	21,0	27,5	13,0	14	26,9	27	19
	400 (5801)	12	G 1/4 A	WAL373118	WAL037618	19,0	27,0	12,0	12	18,9	19	22
		12	G 3/8 A	WAL373119	WAL037619	19,5	27,0	12,5	12	21,9	22	22
		12	G 1/2 A	WAL602513†	WAL024957†	20,0	28,0	13,0	14	26,9	27	22
		15	G 1/2 A	WAL373120	WAL037620	21,0	28,5	13,5	14	26,9	24	27
		15	G 3/8 A	WAL605443	WAL604985	20,5	29,0	14,0	12	21,9	27	27
		18	G 1/2 A	WAL373121	WAL037621	22,0	31,0	14,5	14	26,9	27	32
	250 (3626)	18	G 3/4 A	WAL605215	WAL605124	22,0	31,0	14,5	16	31,9	32	32
		22	G 3/4 A	WAL373122	WAL037622	24,0	33,0	16,5	14	26,9	32	36
28		G 1 A	WAL373123	WAL037623	25,0	34,0	17,5	18	39,9	41	41	
35		G 1 1/4 A	WAL373124	WAL037624	28,0	39,0	17,5	20	49,9	50	50	
42	G 1 1/2 A	WAL373125	WAL037625	30,0	42,0	19,0	22	54,9	55	60		
S	800 (11603)	6	G 1/4 A	WAL373126	WAL037626	20,0	28,0	13,0	12	18,9	19	17
		8	G 1/4 A	WAL373127	WAL037627	22,0	30,0	15,0	12	18,9	19	19
		8	G 3/8 A	WAL604229	WAL371292	22,5	30,5	15,5	12	21,9	22	19
		10	G 3/8 A	WAL373128	WAL037628	22,5	31,0	15,0	12	21,9	22	22
		10	G 1/4 A	WAL605114	WAL602927	22,0	30,5	14,5	12	18,9	19	22
		10	G 1/2 A	WAL605932	WAL606460	25,0	33,5	17,5	14	26,9	27	22
	630 (9137)	12	G 3/8 A	WAL373129	WAL037629	24,5	33,0	17,0	12	21,9	22	24
		12	G 1/4 A	WAL605933	WAL606425	24,0	32,5	16,5	12	18,9	22	24
		12	G 1/2 A	WAL604466	WAL027858	25,0	34,0	17,5	14	26,9	27	24
		14	G 1/2 A	WAL373130	WAL037630	27,0	37,0	19,0	14	26,9	27	27
		16	G 1/2 A	WAL373131	WAL037631	27,0	37,0	18,5	14	26,9	27	30
		16	G 3/8 A	WAL605222	WAL371285	26,0	36,5	18,0	12	21,9	27	30
	420 (6091)	16	G 3/4 A	WAL604561	WAL066454	29,0	39,0	20,5	16	31,9	32	30
		20	G 3/4 A	WAL373132	WAL037632	31,0	42,0	20,5	16	31,9	32	36
		25	G 1 A	WAL373133	WAL037633	35,0	47,0	23,0	18	39,9	41	46
		25	G 3/4 A	WAL604562	WAL066516	35,0	47,0	23,0	16	31,9	41	46
		30	G 1 1/4 A	WAL373134	WAL037634	37,0	50,0	23,5	20	49,9	50	50
		38	G 1 1/2 A	WAL373135	WAL037635	42,0	57,0	26,0	22	54,9	55	60

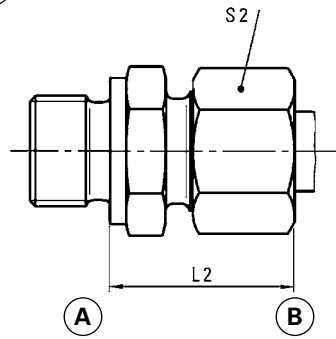
L₂ = approximate length with nut tightened

† = Run-to-order product. Contact your Eaton representative for details.

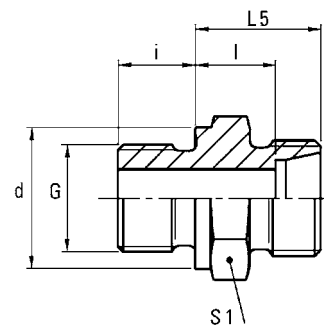
Male stud connector

Male BSPP form B
(metal)/24°

(A) Top Assembly



(B) Body Only



Series	Bar (psi)	Tube O.D.	DIN-ISO 228 (R...,DIN 259) G	(A) Part Number	(B) Part Number	L5	L2	L	i	d	S1	S2	
LL	100 (1450)	4	G 1/8 A	WAL038272	WAL037559	13,5	19,0	9,5	8	14	14	10	
		6	G 1/8 A	WAL038274	WAL037561	13,5	19,5	8,0	8	14	14	12	
		8	G 1/8 A	WAL038275	WAL037562	14,5	20,5	9,0	8	14	14	14	
L	400 (5601)	6	G 1/8 A	WAL373056	WAL037563	15,5	23,0	8,5	14	14	14	14	
		6	G 1/4 A	WAL373057	WAL037564	17,0	24,5	10,0	12	18	19	14	
		6	G 3/8 A	WAL602638	WAL027584	18,5	26,0	11,5	12	22	22	14	
		8	G 1/4 A	WAL373058	WAL037565	17,0	25,0	10,0	12	18	19	17	
		8	G 1/8 A	WAL604871	WAL604870	16,5	24,0	9,5	8	14	14	17	
		8	G 3/8 A	WAL373059	WAL037566	18,5	26,0	11,5	12	22	22	17	
		8	G 1/2 A	WAL374844	WAL062578	19,0	16,5	12,0	14	26	27	17	
		10	G 1/4 A	WAL373060	WAL037567	18,0	26,0	11,0	12	18	19	19	
		10	G 3/8 A	WAL373061	WAL037568	19,5	27,0	12,5	12	22	22	19	
		10	G 1/2 A	WAL373062	WAL028087	20,0	27,5	13,0	14	26	27	19	
		12	G 1/4 A	WAL373063	WAL037569	19,0	27,0	12,0	12	18	19	22	
		12	G 3/8 A	WAL373064	WAL037570	19,5	27,0	12,5	12	22	22	22	
		12	G 1/2 A	WAL373065	WAL037571	20,0	28,0	13,0	14	26	27	22	
		15	G 3/8 A	WAL373066	WAL028669	20,5	28,5	13,5	12	22	24	27	
		15	G 1/2 A	WAL373067	WAL037572	21,0	29,0	14,0	14	26	27	27	
		15	G 3/4 A	WAL602629	WAL028698	22,0	30,0	15,0	16	32	32	27	
		18	G 1/2 A	WAL373068	WAL037573	22,0	31,0	14,5	14	26	27	32	
		18	G 3/4 A	WAL374919	WAL028701	22,0	31,0	14,5	16	32	32	32	
		250 (3626)	22	G 3/4 A	WAL373069	WAL037574	24,0	33,0	16,5	16	32	32	36
				G 1/2 A	WAL374845	WAL025257	24,0	33,0	16,5	14	26	32	36
				G 1 A	WAL373070	WAL037575	25,0	34,0	17,5	18	39	41	41
				G 3/4 A	WAL374846	WAL060071	25,0	34,0	17,5	16	32	41	41
				G 1 1/4 A	WAL373071	WAL037576	28,0	39,0	17,5	20	49	50	50
G 1 1/2 A	WAL373072			WAL037577	30,0	42,0	19,0	22	55	55	60		
S	630 (9137)	6	G 1/4 A	WAL373073	WAL037578	20,0	28,0	13,0	12	18	19	17	
		8	G 1/4 A	WAL373074	WAL037579	22,0	30,0	15,0	12	18	19	19	
		10	G 3/8 A	WAL373075	WAL037580	22,5	31,0	15,0	12	22	22	22	
		10	G 1/4 A	WAL602938	WAL067917	22,0	30,5	14,5	12	18	19	22	
		10	G 1/2 A	WAL374850	WAL060170	25,0	33,5	17,5	14	26	27	22	
		12	G 3/8 A	WAL373076	WAL037581	24,0	33,0	17,0	12	22	22	24	
		12	G 1/4 A	WAL602939	WAL371817	24,0	32,5	16,5	12	18	22	24	
		12	G 1/2 A	WAL373077	WAL037582	25,0	34,0	17,5	14	26	27	24	
		16	G 1/2 A	WAL373079	WAL037584	27,0	37,0	18,5	14	26	27	30	
		16	G 3/8 A	WAL374852	WAL024062	26,5	36,5	18,0	12	22	27	30	
		16	G 3/4 A	WAL604264	WAL025474	29,0	40,0	21,5	16	32	32	30	
		400 (5801)	20	G 3/4 A	WAL373080	WAL037585	31,0	42,0	20,5	16	32	32	36
				G 1/2 A	WAL602651	WAL028704	31,0	40,0	18,5	14	26	32	36
				G 1 A	WAL373081	WAL037586	35,0	47,0	23,0	18	39	41	46
				G 3/4 A	WAL374854	WAL028789	35,0	47,0	23,0	16	32	41	46
250 (3826)	30	G 1 1/4 A	WAL373082	WAL037587	37,0	50,0	23,5	20	49	50	50		
		G 1 1/2 A	WAL373083	WAL037588	42,0	57,0	26,0	22	55	55	60		
		G 1 1/4 A	WAL603977	WAL025223	42,0	57,0	26,0	20	49	55	60		

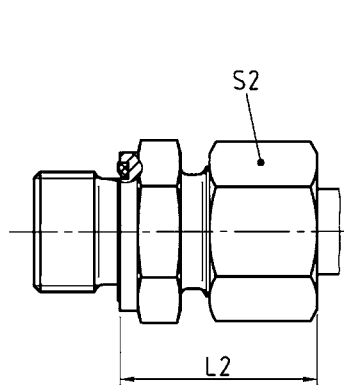
L₂ = approximate length with nut tightened

† = Run-to-order product. Contact your Eaton representative for details.

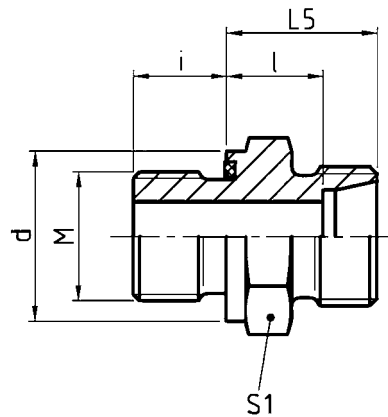
Male stud connector

Metric with seal (NBR)/24°

(A) Top Assembly



(B) Body Only



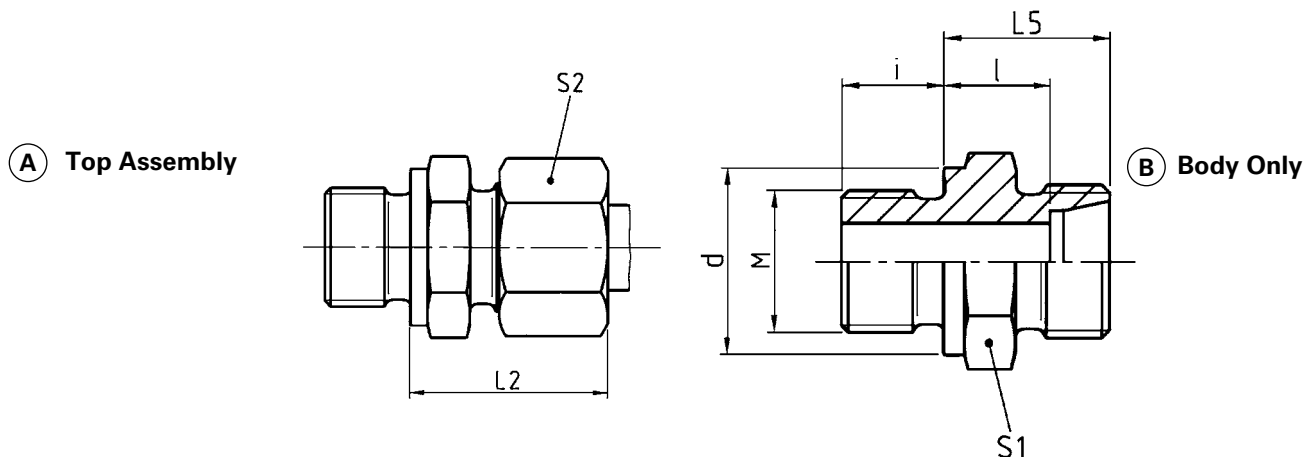
Series	Bar (psi)	Tube O.D.	M	(A) Part Number	(B) Part Number	L5	L2	l	i	d	S1	S2
L	500 (7572)	6	M 10 x 1,0	WAL373136	WAL037638	15,5	23,0	8,5	8	13,9	14	14
		8	M 12 x 1,5	WAL373137	WAL037639	17,0	25,0	10,0	12	16,9	17	17
		10	M 14 x 1,5	WAL373138	WAL037640	18,0	26,0	11,0	12	18,9	19	19
		10	M 18 x 1,5	WAL605930	WAL606459	19,5	27,0	12,5	12	23,9	24	19
		10	M 22 x 1,5	WAL605931	WAL604706	20,0	27,5	13,0	14	26,9	27	19
	400 (5801)	12	M 16 x 1,5	WAL373139	WAL037641	19,5	27,0	12,5	12	21,9	22	22
		12	M 18 x 1,5	WAL602562	WAL024966	17,0	27,0	12,5	12	23,9	24	22
		12	M 22 x 1,5	WAL602563	WAL604514	20,0	27,5	13,0	14	26,9	27	22
		15	M 18 x 1,5	WAL373140	WAL037642	20,5	29,0	13,5	12	23,9	24	27
		15	M 22 x 1,5	WAL602564	WAL604266	21,0	29,0	14,0	14	26,9	27	27
		18	M 22 x 1,5	WAL373141	WAL037643	22,0	30,0	14,0	14	26,9	27	32
	250 (3626)	18	M 18 x 1,5	WAL605934	WAL606294	21,5	31,0	14,5	12	23,9	27	32
		22	M 26 x 1,5	WAL373142	WAL037644	24,0	33,0	16,5	16	31,9	32	36
		28	M 33 x 2,0	WAL373143	WAL037645	25,0	34,0	17,5	18	39,9	41	41
		35	M 42 x 2,0	WAL373144	WAL037646	28,0	39,0	17,5	20	49,9	50	50
42		M 48 x 2,0	WAL373145	WAL037647	30,0	42,0	19,0	22	54,9	55	60	
S	800 (11603)	6	M 12 x 1,5	WAL373146	WAL037648	20,0	28,0	13,0	12	16,9	17	17
		8	M 14 x 1,5	WAL373147	WAL037649	22,0	30,0	15,0	12	18,9	19	19
		10	M 16 x 1,5	WAL373148	WAL037650	22,5	31,0	15,0	12	21,9	22	22
	630 (9137)	12	M 18 x 1,5	WAL373149	WAL037651	24,5	33,0	17,0	12	23,9	24	24
		16	M 22 x 1,5	WAL373151	WAL037653	27,0	37,0	18,5	14	26,9	27	30
	420 (6091)	20	M 27 x 2,0	WAL373152	WAL037654	31,0	42,0	20,5	16	31,9	32	36
		25	M 33 x 2,0	WAL373153	WAL037655	35,0	47,0	23,0	18	39,9	41	41
		30	M 42 x 2,0	WAL373154	WAL037656	37,0	50,0	23,5	20	49,9	50	50
		38	M 48 x 2,0	WAL373155	WAL037657	42,0	57,0	26,0	22	54,9	55	60

L₂ = approximate length with nut tightened

† = Run-to-order product. Contact your Eaton representative for details.

Male stud connector

Metric parallel form B (metal)/24°



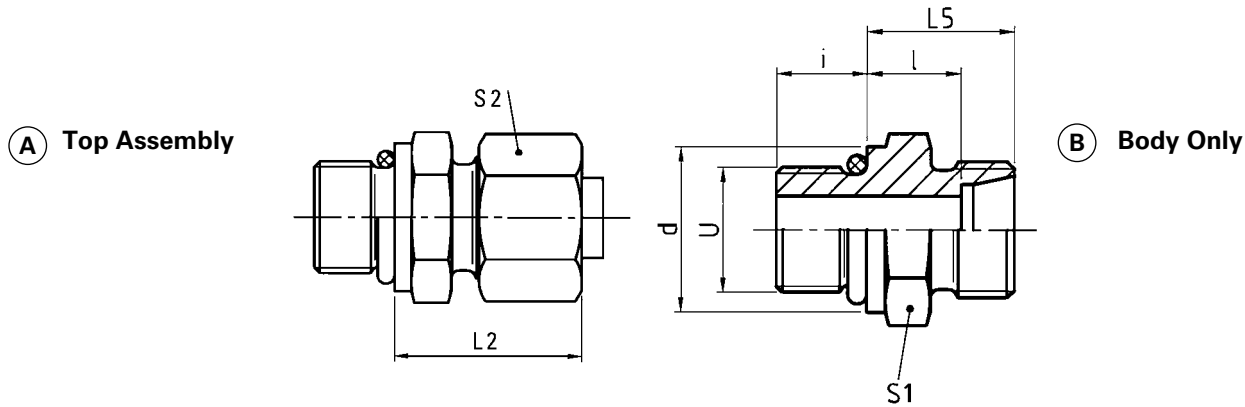
Series	Bar (psi)	Tube O.D.	M	(A) Part Number	(B) Part Number	L ₅	L ₂	l	d	i	S ₁	S ₂	
LL	100 (1450)	4	M 8 x 1	WAL038302	WAL037589	13,5	19,0	9,5	8	12	12	10	
		6	M 10 x 1	WAL038304	WAL037591	13,5	19,5	8,0	8	14	14	12	
		8	M 10 x 1	WAL038305	WAL037592	14,5	20,5	9,0	8	14	14	14	
L	400 (5801)	6	M 10 x 1	WAL373087	WAL037593	15,5	23,0	8,5	8	14	14	14	
		6	M 12 x 1,5	WAL373088	WAL037594	17,0	24,5	10,0	12	17	17	14	
		8	M 12 x 1,5	WAL373089	WAL037595	17,0	25,0	10,0	12	17	17	17	
		8	M 18 x 1,5	WAL373090	WAL024882	18,5	26,0	11,5	12	23	24	17	
		10	M 14 x 1,5	WAL373091	WAL037596	18,0	26,0	11,0	12	19	19	19	
		10	M 16 x 1,5	WAL602652	WAL063190	19,5	27,0	12,5	12	21	22	19	
		10	M 18 x 1,5	WAL373092	WAL025287	19,5	27,0	12,5	12	23	24	19	
		10	M 22 x 1,5	WAL373093	WAL028692	20,0	27,5	13,0	14	27	27	19	
		12	M 16 x 1,5	WAL373094	WAL037597	19,5	27,0	12,5	12	21	22	22	
		12	M 18 x 1,5	WAL373095	WAL037598	19,5	27,0	12,5	12	23	24	22	
		12	M 22 x 1,5	WAL373096	WAL028695	20,0	27,5	13,0	14	27	27	22	
		15	M 18 x 1,5	WAL373097	WAL037599	20,5	29,0	13,5	12	23	24	27	
		15	M 22 x 1,5	WAL373098	WAL028117	21,0	29,0	14,0	14	27	27	27	
		18	M 18 x 1,5	WAL373099	WAL029643	21,5	30,0	14,0	12	23	27	32	
		18	M 22 x 1,5	WAL373100	WAL037600	22,0	31,0	14,5	14	27	27	32	
		250 (3626)		22	M 26 x 1,5	WAL373101	WAL037601	24,0	33,0	16,5	16	31	32
28	M 33 x 2			WAL373102	WAL037602	25,0	34,0	17,5	18	39	41	41	
35	M 42 x 2			WAL373103	WAL037603	28,0	39,0	17,5	20	49	50	50	
42	M 48 x 2			WAL373104 [†]	WAL037604 [†]	30,0	42,0	19,0	22	55	55	60	
S	630 (9137)	6	M 12 x 1,5	WAL373105 [†]	WAL037605 [†]	20,0	28,0	13,0	12	17	17	17	
		8	M 14 x 1,5	WAL373106	WAL037606	22,0	30,0	15,0	12	19	19	19	
		10	M 16 x 1,5	WAL373107	WAL037607	22,5	31,0	15,0	12	21	22	22	
		12	M 18 x 1,5	WAL373108	WAL037608	24,5	33,0	17,0	12	23	24	24	
		16	M 22 x 1,5	WAL373110	WAL037610	27,0	37,0	18,5	14	27	27	30	
	400 (5801)		20	M 27 x 2	WAL373111	WAL037611	31,0	42,0	20,5	16	32	32	36
			25	M 33 x 2	WAL373112	WAL037612	35,0	47,0	23,0	18	39	41	46
	250 (3626)		30	M 42 x 2	WAL373113	WAL037613	37,0	50,0	23,5	20	49	50	50
			38	M 48 x 2	WAL373114	WAL037614	42,0	57,0	26,0	22	55	55	60

L₂ = approximate length with nut tightened

† = Run-to-order product. Contact your Eaton representative for details.

Male stud connector

SAE O-ring boss/24°



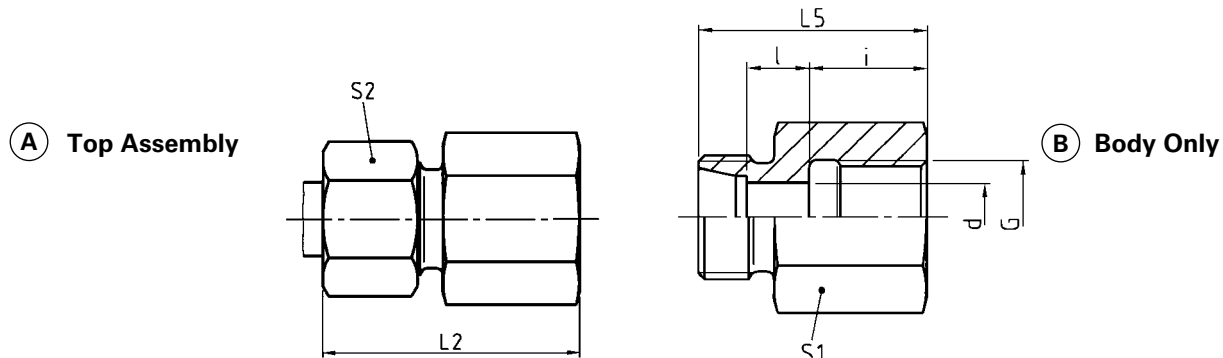
Series	Bar (psi)	Tube O.D.	M	(A)	(B)	L ₅	L ₂	l	i	d	S ₁	S ₂
				Part Number	Part Number							
L	400 (5801)	6	9/16 - 18 UNF	WAL373157 [†]	WAL065356 [†]	25	17	10,0	10,0	17,6	19	14
		8	7/16 - 20 UNF	WAL373158	WAL065358	25	17	10,0	9,0	14,4	17	17
		8	9/16 - 18 UNF	WAL373159	WAL065359	25	17	10,0	10,0	17,6	19	17
		10	7/16 - 20 UNF	WAL373160	WAL065361	26	18	11,0	9,0	14,4	17	19
		10	9/16 - 18 UNF	WAL373161	WAL065362	26	18	11,0	10,0	17,6	19	19
		10	3/4 - 16 UNF	WAL373162	WAL065363	28	20	13,0	11,0	22,3	24	19
		12	9/16 - 18 UNF	WAL373164	WAL065365	26	18	11,0	10,0	17,6	19	22
		12	3/4 - 16 UNF	WAL373165	WAL065366	28	20	13,0	11,0	22,3	24	22
		12	7/8 - 14 UNF	WAL373166	WAL065367	29	21	14,0	12,7	25,5	27	22
	15	3/4 - 16 UNF	WAL373168	WAL065369	29	21	14,0	11,0	22,3	24	27	
	15	7/8 - 14 UNF	WAL373169	WAL065370	30	22	15,0	12,7	25,5	27	27	
	18	3/4 - 16 UNF	WAL373170	WAL065371	31	22	14,5	11,0	22,3	27	32	
	18	7/8 - 14 UNF	WAL373171	WAL065372	31	22	14,5	12,7	25,5	27	32	
	250 (3626)	22	7/8 - 14 UNF	WAL373172	WAL065374	33	24	16,5	12,7	25,5	32	36
	22	1 1/16 - 12 UNF	WAL373173	WAL065377	33	24	16,5	15,0	31,9	32	36	
	28	7/8 - 14 UNF	WAL373174 [†]	WAL065378 [†]	34	25	17,5	12,7	25,5	41	41	
	28	1 5/16 - 12 UNF	WAL373175	WAL065382	34	25	17,5	15,0	38,2	41	41	
	35	1 5/8 - 12 UNF	WAL373177	WAL065384	39	28	17,5	15,0	47,7	50	50	
42	1 5/8 - 12 UNF	WAL374346 [†]	WAL065386 [†]	42	30	19,0	15,0	47,7	55	55		
S	630 (9137)	12	3/4 - 16 UNF	WAL373180	WAL065389	34	25	17,5	11,0	22,3	24	24
		16	3/4 - 16 UNF	WAL373182 [†]	WAL065391 [†]	34	24	15,5	11,0	22,3	24	30
		16	7/8 - 14 UNF	WAL373183	WAL065392	37	27	18,5	12,7	25,5	27	30
	400 (5801)	20	3/4 - 16 UNF	WAL373184 [†]	WAL065393 [†]	42	31	20,5	11,0	22,3	32	36
		20	7/8 - 14 UNF	WAL373185 [†]	WAL065394 [†]	42	31	20,5	12,7	25,5	32	36
		20	1 1/16 - 12 UNF	WAL373186	WAL065395	42	31	20,5	15,0	31,9	32	36
		25	1 5/16 - 12 UNF	WAL373189	WAL065400	47	35	23,0	15,0	38,2	41	46
	315 (4569)	30	1 5/8 - 12 UNF	WAL373191	WAL065402	50	37	23,5	15,0	47,7	50	50

L₅ = approximate length with nut tightened

[†] = Run-to-order product. Contact your Eaton representative for details.

Female BSPP connector

BSPP female/24°



Series	Bar (psi)	Tube O.D.	DIN-ISO 228 (R...,DIN 259) G	(A) Part Number	(B) Part Number	L ₂	L ₅	l	i	d	S ₁	S ₂
L	250 (3626)	6	G 1/8	WAL374305	WAL038084	34	26,0	7,0	12,0	4	14	14
		8	G 1/4	WAL374306	WAL038085	39	31,0	7,0	17,0	6	19	17
		10	G 1/4	WAL374307	WAL038086	40	32,0	8,0	17,0	8	19	19
		12	G 1/4	WAL374308	WAL038087	40	32,0	8,0	17,0	8	19	22
		12	G 3/8	WAL374309	WAL038088	41	33,0	9,0	17,0	10	24	22
	15	G 1/2	WAL374310	WAL038089	46	38,0	11,0	20,0	12	30	27	
	160 (2321)	18	G 1/2	WAL374311	WAL038090	47	38,0	10,5	20,0	15	27	32
		22	G 3/4	WAL374312	WAL038091	52	43,0	13,5	22,0	19	36	36
	100 (1450)	28	G 1	WAL374313	WAL038092	55	45,5	13,5	24,5	24	41	41
		35	G 1 1/4	WAL374314	WAL038093	63	51,5	14,5	26,5	30	55	50
42		G 1 1/2	WAL374315†	WAL038094†	65	53,5	14,0	28,5	36	60	60	
S	630 (9137)	6	G 1/4	WAL374316	WAL038095	41	33,0	9,0	17,0	4	19	17
		8	G 1/4	WAL374317	WAL038096	41	33,0	9,0	17,0	5	19	19
		10	G 3/8	WAL374318	WAL038097	43	34,0	9,5	17,0	7	24	22
		12	G 3/8	WAL374319	WAL038098	43	34,0	9,5	17,0	8	24	24
	400 (5801)	16	G 1/2	WAL374321	WAL038100	50	40,0	11,5	20,0	12	30	30
		20	G 3/4	WAL374322	WAL038101	56	45,0	12,5	22,0	16	36	36
		25	G 1	WAL374323	WAL038102	62	49,5	13,0	24,5	20	41	46
	250 (3526)	30	G 1 1/4	WAL374324†	WAL038103†	69	55,5	15,5	26,5	25	55	50
		38	G 1 1/2	WAL374325†	WAL038104†	74	59,5	15,0	28,5	32	60	60

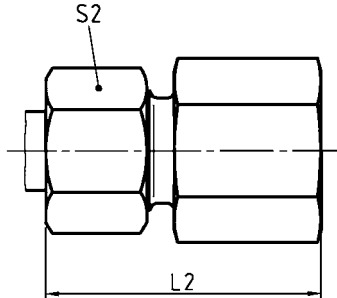
L₂ = approximate length with nut tightened

† = Run-to-order product. Contact your Eaton representative for details.

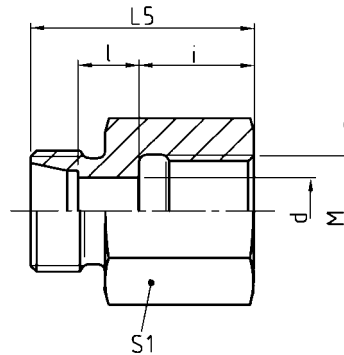
Female metric connector

Metric female/24°

(A) Top Assembly



(B) Body Only



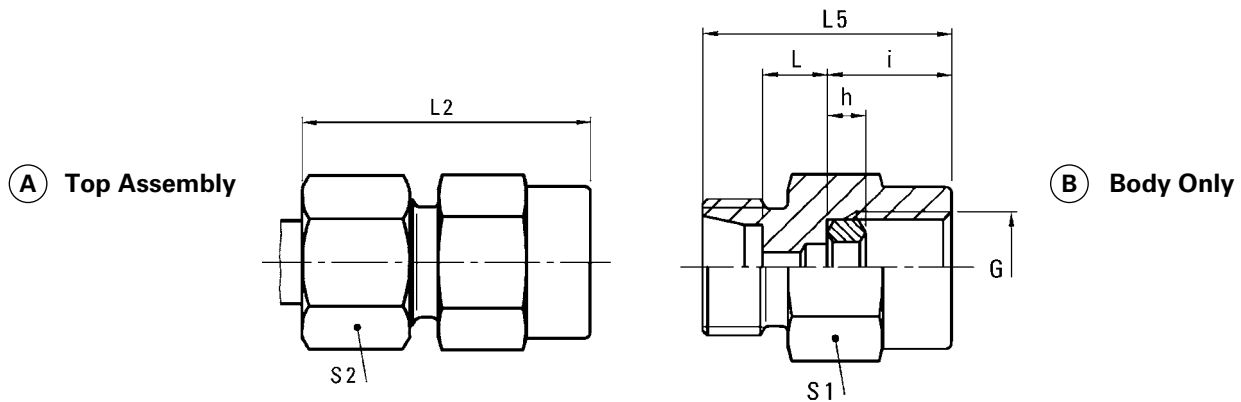
Series	Bar (psi)	Tube O.D.	M	(A)	(B)	L ₂	L ₅	l	i	d	S ₁	S ₂
				Part Number	Part Number							
L	250 (3626)	6	M 10 x 1,0	WAL602627	WAL060046	34	26,5	7,0	12,5	4	14	14
		8	M 12 x 1,5	WAL604351†	WAL061084†	39	31,0	7,0	17,0	6	17	17
	10	M 14 x 1,5	WAL604132	WAL060213	40	32,0	8,0	17,0	8	19	19	
	12	M 16 x 1,5	WAL602936†	WAL025317†	41	33,0	9,0	17,0	10	22	22	
	15	M 18 x 1,5	WAL602628	WAL024357	43	35,0	11,0	17,0	12	24	27	
160 (2321)	18	M 22 x 1,5	WAL602706†	WAL062966†	46	37,0	10,5	19,0	15	30	32	
	22	M 26 x 1,5	WAL604366†	WAL061612†	51	42,0	13,5	21,0	19	32	36	
S	630 (9137)	6	M 12 x 1,5	WAL603940†	WAL066876†	41	33,0	9,0	17,0	4	17	17
		8	M 14 x 1,5	WAL604572†	WAL061634†	41	33,0	9,0	17,0	5	19	19
		10	M 16 x 1,5	WAL604328†	WAL060704†	43	34,0	9,5	17,0	7	22	22
		12	M 18 x 1,5	WAL602664†	WAL060069†	44	35,0	10,5	17,0	8	24	24
	400 (5801)	16	M 22 x 1,5	WAL604596†	WAL067979†	49	39,0	11,5	19,0	12	30	30
20		M 27 x 2,0	WAL604441†	WAL065147†	56	45,0	12,5	22,0	16	36	36	

L₂ = approximate length with nut tightened

† = Run-to-order product. Contact your Eaton representative for details.

Gauge connector

BSP/24°

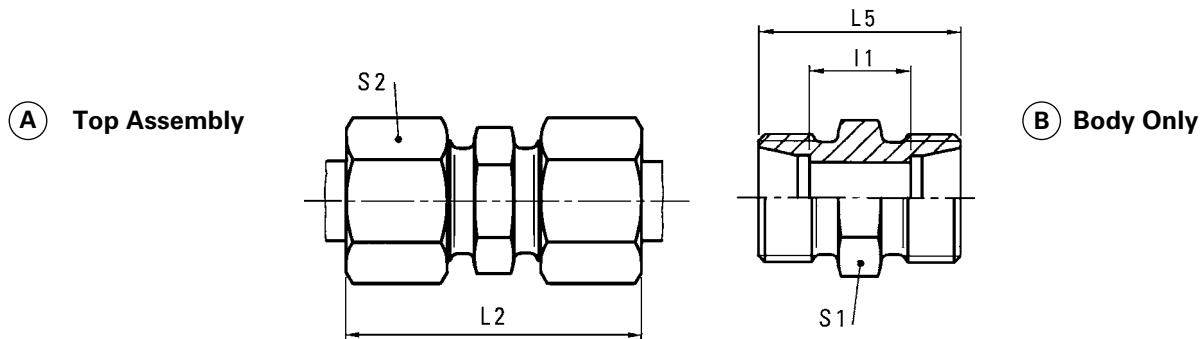


Series	Bar (psi)	Tube O.D.	DIN-ISO 228 (R...,DIN 259) G	(A) Part Number	(B) Part Number	L ₂	L ₅	l	i	h	S ₁	S ₂
L	500 (7252)	6	G 1/4	WAL374334	WAL066939	37	14,5	7,5	14,5	4,5	19	14
		8	G 1/4	WAL374335	WAL066940	37	14,5	7,5	14,5	4,5	19	17
		10	G 1/4	WAL374336	WAL067370	38	15,5	8,5	14,5	4,5	19	19
	400 (5801)	12	G 1/4	WAL374337	WAL066941	38	15,5	8,5	14,5	4,5	19	22
S	800 (11603)	6	G 1/2	WAL374338	WAL066942	46	18,0	11,0	20,0	5	27	17
		8	G 1/2	WAL374339	WAL066943	46	18,0	11,0	20,0	5	27	19
		10	G 1/2	WAL374340	WAL066944	47	18,0	10,5	20,0	5	27	22
	630 (9137)	12	G 1/2	WAL374341	WAL066945	47	18,0	10,5	20,0	5	27	24

L₂ = approximate length with nut tightened

Straight union connector

24°/24°



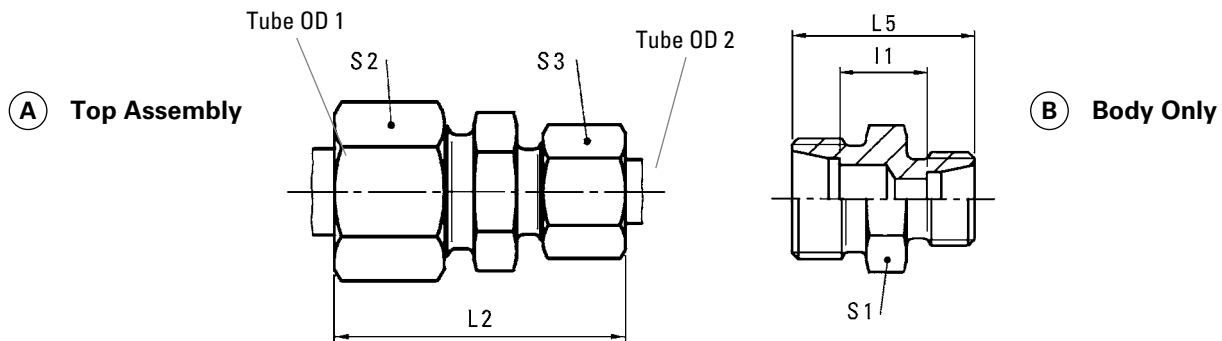
Series	Bar (psi)	Tube O.D.	(A) Part Number	(B) Part Number	L ₂	L ₅	I ₁	S ₁	S ₂
LL	100 (1450)	4	WAL038557	WAL037844	31	20	12	9	10
		6	WAL038559	WAL037846	32	20	9	11	12
		8	WAL038560	WAL037847	35	23	12	12	14
	500 (7252)	6	WAL373362	WAL037848	39	24	10	12	14
		8	WAL373363	WAL037849	40	25	11	14	17
		10	WAL373364	WAL037850	42	27	13	17	19
L	400 (5801)	12	WAL373365	WAL037851	43	28	14	19	22
		15	WAL373366	WAL037852	46	30	16	24	27
		18	WAL373367	WAL028736	48	31	16	27	32
	250 (3626)	22	WAL373368	WAL028737	52	35	20	32	36
		28	WAL373369	WAL028738	54	36	21	41	41
		35	WAL373370	WAL028739	63	41	20	46	50
		42	WAL373371	WAL028740	66	43	21	55	60
S	800 (11603)	6	WAL373372	WAL037853	45	30	16	14	17
		8	WAL373373	WAL037854	47	32	18	17	19
		10	WAL373374	WAL037855	49	32	17	19	22
	630 (9137)	12	WAL373375	WAL037856	51	34	19	22	24
		16	WAL373377	WAL037858	57	38	21	27	30
	420 (6091)	20	WAL373378	WAL037859	66	44	23	32	36
		25	WAL373379	WAL037860	74	50	26	41	46
		30	WAL373380	WAL037861	80	54	27	46	50
		38	WAL373381	WAL037862	90	61	29	55	60

L₂ = approximate length with nut tightened

† = Run-to-order product. Contact your Eaton representative for details.

Straight reducer connector

24°/24°



Series	Bar (psi)	Tube O.D. 1	Tube O.D. 2	(A)	(B)	L ₂	L ₅	I	i	S ₁	S ₂
				Part Number	Part Number						
LL	100	6	4	WAL060065 [†]	WAL060066 [†]	32,5	20	10,5	11	12	10
	(1450)	8	4	WAL024214 [†]	WAL025120 [†]	34,0	22	12,5	12	14	10
L	500 (7252)	8	6	WAL374530	WAL029475	40,0	25	11,0	14	17	14
		10	6	WAL374531	WAL029476	41,0	26	12,0	17	19	14
		10	8	WAL602920	WAL029477	41,0	26	12,0	17	19	17
	400 (5801)	12	6	WAL602654	WAL063441	42,0	27	13,0	19	22	14
		12	8	WAL374532	WAL029478	42,0	27	13,0	19	22	17
		12	10	WAL374533	WAL029479	43,0	28	14,0	19	22	19
		15	10	WAL374534	WAL060223	44,5	29	15,0	24	27	19
		15	12	WAL374535	WAL029480	44,5	29	15,0	24	27	22
		18	10	WAL602655	WAL024917	46,0	30	15,5	27	32	19
		18	12	WAL374536	WAL029663	46,0	30	15,5	27	32	22
	250 (3626)	18	15	WAL374537	WAL029482	47,5	31	16,5	27	32	27
		22	15	WAL374538	WAL024355	49,5	33	18,5	32	36	27
		22	18	WAL374762	WAL061992	50,0	33	18,0	32	36	32
		28	22	WAL604368	WAL024889	54,0	36	21,0	41	41	36
S		630 (9137)	16	12	WAL374539	WAL029481	54,0	36	20,0	27	30
	420 (6091)	20	16	WAL374540	WAL025197	62,5	42	23,0	32	36	30
		25	16	WAL604471	WAL060853	68,0	46	25,5	41	46	30
		25	20	WAL374541	WAL063230	71,0	48	25,5	41	46	36

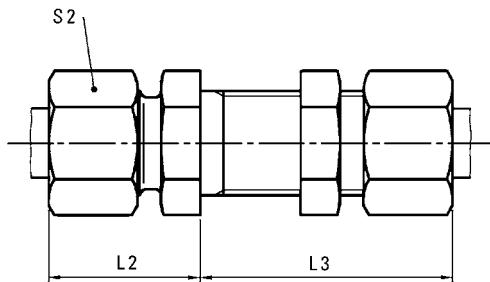
L₂ = approximate length with nut tightened

† = Run-to-order product. Contact your Eaton representative for details.

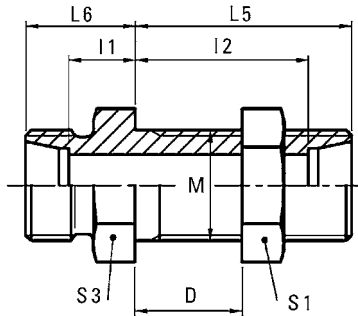
Bulkhead union connector

24°/24°

(A) Top Assembly



(B) Body Only

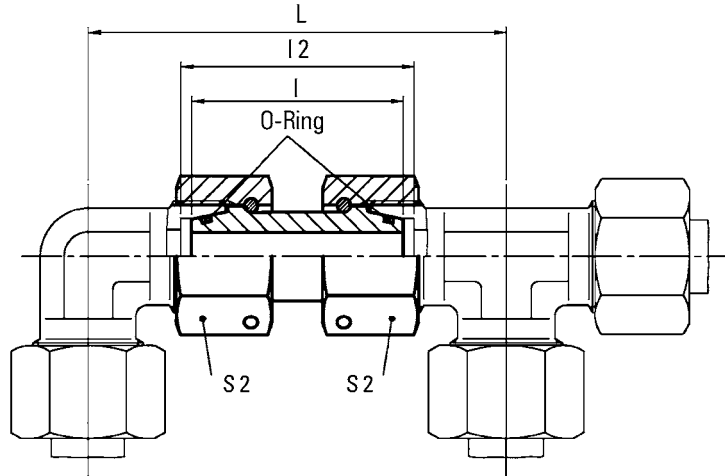


Series	Bar (psi)	Tube O.D.	M	D Min.	D Max.	Part Number		L2	L3	L5	L6	I1	I2	S1	S2	S3
						(A)	(B)									
L	500 (7252)	6	M 12 x 1,5	4	16	WAL373451	WAL063273	22	42	34	14	7,0	27,0	17,0	14	17
		8	M 14 x 1,5	4	16	WAL373452	WAL024147	23	42	34	15	8,0	27,0	19,0	17	19
		10	M 16 x 1,5	4	16	WAL373453	WAL061656	25	43	35	17	10,0	28,0	22,0	19	22
	400 (5801)	12	M 18 x 1,5	4	16	WAL373454	WAL061657	25	44	36	17	10,0	29,0	24,0	22	24
		15	M 22 x 1,5	4	16	WAL373455	WAL061995	27	45	38	19	12,0	31,0	30,0	27	27
		18	M 26 x 1,5	4	16	WAL373456	WAL061658	30	49	40	21	13,5	32,5	36,0	32	32
	250 (3626)	22	M 30 x 2,0	5	16	WAL373457	WAL063759	33	51	42	44	16,5	34,5	41,0	36	36
		28	M 36 x 2,0	5	16	WAL373458	WAL063760	35	52	43	26	18,5	35,5	46,0	41	41
		35	M 45 x 2,0	5	16	WAL373459	WAL063761	40	58	47	29	18,5	36,5	55,0	50	50
		42	M 52 x 2,0	5	16	WAL373460	WAL063762	42	59	47	30	19,0	36,0	65,0	60	60
S	800 (11603)	6	M 14 x 1,5	4	16	WAL373461	WAL063763	27	44	36	19	12,0	29,0	19	17	19
		8	M 16 x 1,5	4	16	WAL373462	WAL063764	28	44	36	20	13,0	29,0	22	19	22
		10	M 18 x 1,5	4	16	WAL373463	WAL063765	31	46	37	22	14,5	29,5	24	22	24
	630 (9137)	12	M 20 x 1,5	4	16	WAL373464	WAL063766	31	47	38	22	14,5	30,5	27	24	27
		16	M 24 x 1,5	4	16	WAL373466	WAL063768	35	50	40	25	16,5	31,5	32	30	32
	400 (5801)	20	M 30 x 2,0	5	16	WAL373467	WAL063769	39	55	44	28	17,5	33,5	41	36	41
		25	M 36 x 2,0	5	16	WAL373468	WAL063770	44	59	47	32	20,0	35,0	46	46	46
		30	M 42 x 2,0	5	16	WAL373469	WAL063771	48	64	51	35	21,5	37,5	50	50	50
		38	M 52 x 2,0	5	16	WAL373470	WAL063772	53	68	53	38	22,0	37,0	65	60	65

L₂ and L₃ = approximate length with nut tightened

Swivel union

24° Swivel/24° swivel

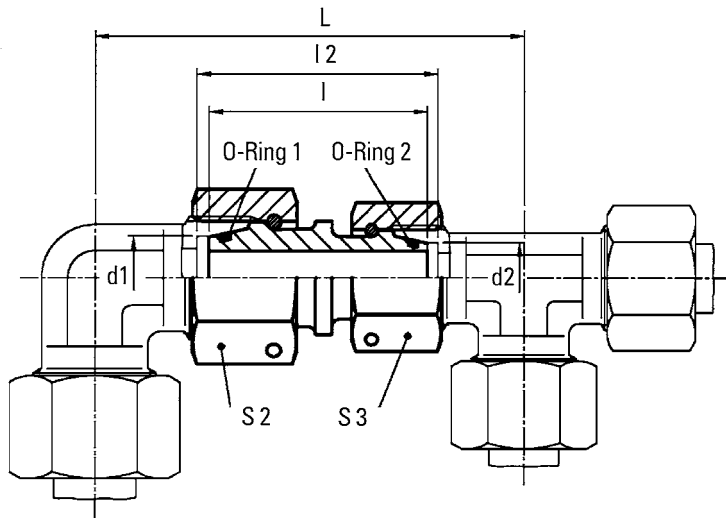


Series	Bar (psi)	Tube O.D.	Part Number	L	l	l ₂	S ₂	O-Ring
L	500 (7252)	6	WAL372938	60,0	34,0	36,0	17	4,5 x 1,5
		8	WAL372939	64,0	34,0	36,0	17	6,0 x 1,5
		10	WAL372940	67,0	36,0	37,0	19	8,5 x 1,5
	400 (5801)	12	WAL372941	71,0	36,0	37,0	22	10,0 x 1,5
		15	WAL372942	82,0	39,0	40,0	27	12,0 x 2,0
		18	WAL372943	89,5	40,5	42,5	32	15,0 x 2,0
	250 (3626)	22	WAL372944	101,5	45,0	46,5	36	20,0 x 2,0
		28	WAL372945	109,5	47,0	48,5	46	26,0 x 2,0
		35	WAL372946	126,5	53,0	57,5	50	32,0 x 2,5
		42	WAL372947	138,5	53,0	58,5	60	38,0 x 2,5
S	800 (11603)	6	WAL372948†	71,0	37,0	39,0	17	4,5 x 1,5
		8	WAL069234	73,0	37,0	39,0	19	6,0 x 1,5
		10	WAL068948	78,0	41,0	43,0	22	8,5 x 1,5
	630 (9137)	12	WAL068950	87,0	42,0	44,0	24	10,0 x 1,5
		16	WAL068088	99,0	46,0	50,0	30	14,0 x 2,0
	420 (6091)	20	WAL068090	112,5	55,0	59,5	36	17,3 x 2,4
		25	WAL061763	125,5	58,0	65,5	46	22,3 x 2,4
	400 (5801)	30	WAL068099	143,5	62,0	72,5	50	27,3 x 2,4
		38	WAL061765	164,5	67,0	82,5	60	35,0 x 2,5

† = Run-to-order product. Contact your Eaton representative for details.

Swivel union reducer L series

24° Swivel/24° swivel

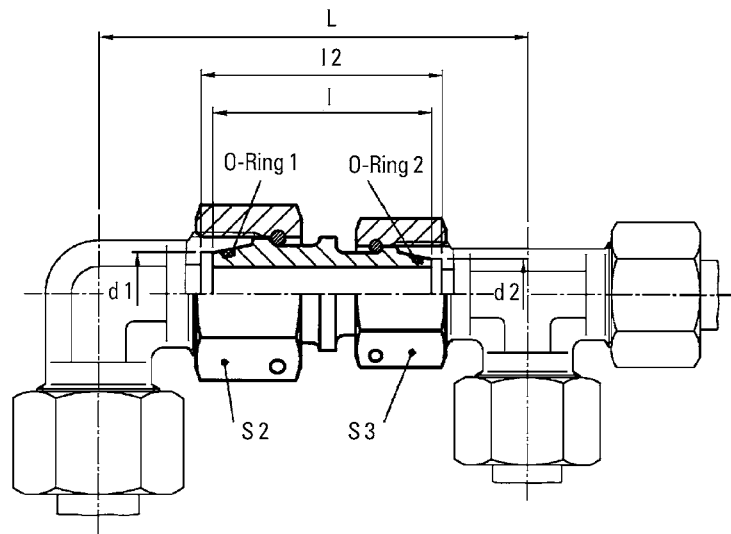


Bar (psi)	Tube O.D. d1	Tube O.D. d2	Part Number	L	l	l2	S1	S2	O-Ring 1	O-Ring 2
500 (7252)	8	6	WAL612675†	64,0	34,0	36,0	17	17	6,0 x 1,50	4,5 x 1,5
	10	6	WAL612676†	65,5	35,0	36,5	19	17	8,5 x 1,50	4,5 x 1,5
	10	8	WAL612677†	65,5	35,0	36,5	19	17	8,5 x 1,50	6,0 x 1,5
400 (5801)	12	6	WAL612678†	67,5	35,0	36,5	22	17	10,0 x 1,50	4,5 x 1,5
	12	8	WAL374358	68,5	36,0	37,5	22	17	10,0 x 1,50	6,0 x 1,5
	12	10	WAL612679	69,5	36,5	37,5	22	19	10,0 x 1,50	8,5 x 1,5
	15	8	WAL612680†	73,0	36,5	38,0	27	17	12,0 x 2,00	6,0 x 1,5
	15	10	WAL612681†	74,5	37,5	38,5	27	19	12,0 x 2,00	8,5 x 1,5
	15	12	WAL612682	83,0	44,0	45,0	27	22	12,0 x 2,00	10,0 x 1,5
	18	10	WAL612683†	78,0	38,0	39,5	32	19	15,0 x 2,00	8,5 x 1,5
	18	12	WAL612684†	80,0	38,0	39,5	32	22	15,0 x 2,00	10,0 x 1,5
	18	15	WAL612685	91,0	45,0	46,5	32	27	15,0 x 2,00	12,0 x 2,0
250 (3626)	22	12	WAL612686†	86,5	40,5	42,0	36	22	20,0 x 2,00	10,0 x 1,5
	22	15	WAL612687†	92,0	42,0	43,5	36	27	20,0 x 2,00	12,0 x 2,0
	22	18	WAL612688†	98,0	45,0	47,0	36	32	20,0 x 2,00	15,0 x 2,0
	28	15	WAL612689†	96,0	43,0	44,5	41	27	26,0 x 2,00	12,0 x 2,0
	28	18	WAL612690†	100,0	44,0	46,0	41	32	26,0 x 2,00	15,0 x 2,0
	28	22	WAL612691†	106,0	46,0	48,0	41	36	26,0 x 2,00	20,0 x 2,0
	35	18	WAL612692†	109,5	48,0	51,5	50	32	32,0 x 2,50	15,0 x 2,0
	35	22	WAL612693†	115,0	49,5	53,0	50	36	32,0 x 2,50	20,0 x 2,0
	35	28	WAL612694†	118,5	50,0	53,5	50	46	32,0 x 2,50	26,0 x 2,0
	42	22	WAL612695†	121,0	49,5	53,5	60	36	38,0 x 2,50	20,0 x 2,0
42	28	WAL612696†	124,5	50,0	54,0	60	46	38,0 x 2,50	26,0 x 2,0	
42	35	WAL612697†	133,0	53,0	58,5	60	50	38,0 x 2,50	32,0 x 2,5	

† = Run-to-order product. Contact your Eaton representative for details.

Swivel union reducer S series

24° Swivel/24° swivel

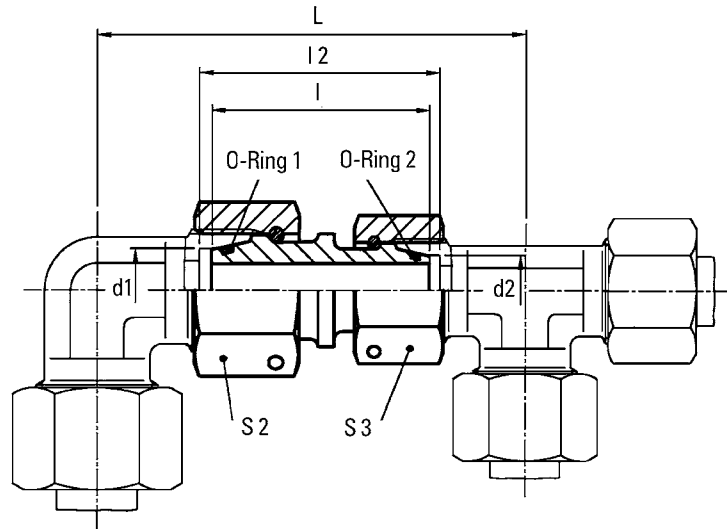


Bar (psi)	Tube O.D. d1	O.D. d2	Part Number	L	l	l2	S1	S2	O-Ring 1	O-Ring 2
800 (11603)	8	6	WAL612698†	72,0	37,0	39,0	19	17	6,0 x 1,5	4,5 x 1,5
	10	6	WAL612699†	76,0	40,5	42,5	22	17	8,5 x 1,5	4,5 x 1,5
	10	8	WAL612700†	75,5	39,0	41,0	22	19	8,5 x 1,5	6,0 x 1,5
630 (9137)	12	6	WAL612701†	80,5	39,0	43,0	24	17	10,0 x 1,5	4,5 x 1,5
	12	8	WAL612702†	84,5	44,0	46,0	24	19	10,0 x 1,5	6,0 x 1,5
	12	10	WAL612703†	82,5	41,5	43,5	24	22	10,0 x 1,5	8,5 x 1,5
	16	10	WAL612704†	88,5	43,5	46,5	30	22	14,0 x 2,0	8,5 x 1,5
	16	12	WAL612705†	96,5	47,5	50,5	30	24	14,0 x 2,0	10,0 x 1,5
420 (6091)	20	12	WAL612706†	100,0	48,5	52,0	36	24	17,3 x 2,4	10,0 x 1,5
	20	16	WAL612707†	108,0	52,5	57,0	36	30	17,3 x 2,4	14,0 x 2,0
	25	16	WAL612708†	112,5	52,0	58,0	46	30	22,3 x 2,4	14,0 x 2,0
	25	20	WAL612709†	121,0	58,0	64,5	46	36	22,3 x 2,4	17,3 x 2,4
400 (5801)	30	16	WAL612710†	121,5	54,0	61,5	50	30	27,3 x 2,4	14,0 x 2,0
	30	20	WAL612711†	128,5	58,5	66,5	50	36	27,3 x 2,4	17,3 x 2,4
	30	25	WAL612712†	135,0	60,0	69,5	50	46	27,3 x 2,4	22,3 x 2,4
	38	20	WAL612713†	139,0	61,0	71,5	60	36	35,0 x 2,5	17,3 x 2,4
	38	25	WAL612714†	145,5	62,5	74,5	60	46	35,0 x 2,5	22,3 x 2,4
	38	30	WAL612715†	154,5	64,5	78,0	60	50	35,0 x 2,5	27,3 x 2,4

† = Run-to-order product. Contact your Eaton representative for details.

Swivel union reducer L/S series

24° Swivel/24° swivel

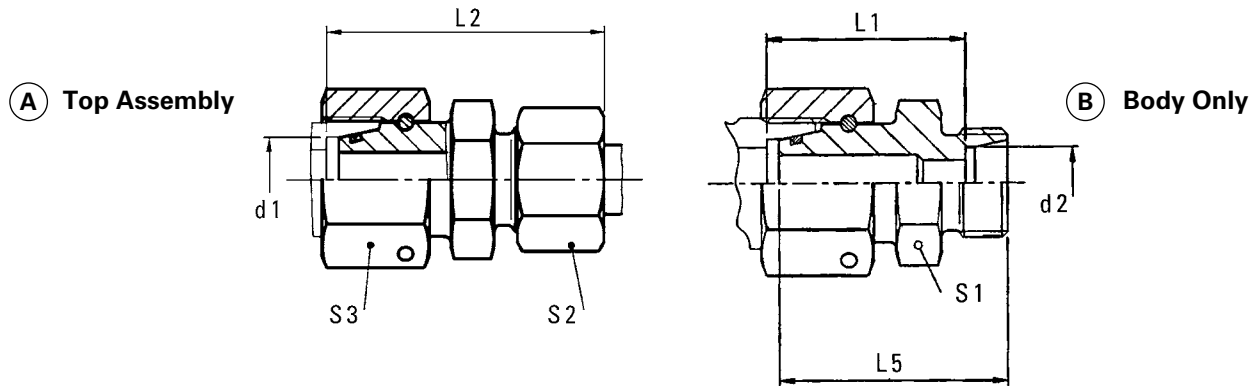


Bar (psi)	Tube O.D. d1	Tube O.D. d2	Part Number	L	l	l2	S1	S2	O-Ring 1	O-Ring 2
400	6	6	WAL612716†	67,5	35,5	37,5	17	17	4,5 x 1,5	4,5 x 1,5
(5801)	8	8	WAL612717†	68,5	35,5	37,5	17	19	6,0 x 1,5	6,0 x 1,5
	10	10	WAL612718†	72,5	38,5	40,0	19	22	8,5 x 1,5	8,5 x 1,5
	12	12	WAL612719†	79,0	39,0	40,5	22	24	10,0 x 1,5	10,0 x 1,5
	18	16	WAL612720†	94,5	43,5	46,5	32	30	15,0 x 2,0	14,0 x 2,0
250	22	20	WAL612721†	107,5	50,0	53,5	36	36	20,0 x 2,0	17,3 x 2,4
(3626)	28	25	WAL612722†	118,0	52,5	57,5	46	46	26,0 x 2,0	22,3 x 2,4
	35	30	WAL612723†	139,0	61,0	69,0	50	50	32,0 x 2,5	27,3 x 2,4
	42	38	WAL612724†	147,0	55,0	66,0	60	60	38,0 x 2,5	35,0 x 2,5
400	16	15	WAL612725†	90,5	42,5	45,0	30	27	14,0 x 2,0	12,0 x 2,0
(5801)	20	18	WAL612726†	101,0	47,5	51,0	36	32	17,3 x 2,4	15,0 x 2,0
250	25	22	WAL612727†	119,5	57,0	62,0	46	36	22,3 x 2,4	20,0 x 2,0
(3626)	30	28	WAL612728†	131,5	59,0	65,5	50	46	27,3 x 2,4	26,0 x 2,0
	38	35	WAL612729†	148,0	62,0	72,5	60	50	35,0 x 2,5	32,0 x 2,5

† = Run-to-order product. Contact your Eaton representative for details.

Swivel reducer L series

24° Swivel/24°



Bar (psi)	Tube O.D.		(A) Part Number	(B) Part Number	L ₅	L ₂	L ₁	S ₁	S ₂	S ₃	O-Ring
	d ₁	d ₂									
500 (7252)	8	6	WAL619570	WAL619030	29,0	37,5	23,5	12	14	17	6,0 x 1,5
		10	WAL619120	WAL619031	31,0	39,0	25,0	14	14	19	8,5 x 1,5
	8	WAL619121	WAL619032	31,0	39,5	25,0		17			
400 (5801)	12	6	WAL619122	WAL619033	31,0	39,0	25,0	17	14	22	10,0 x 1,5
		8	WAL619123	WAL619034	31,0	39,5	25,0		17		
		10	WAL619124	WAL619035	32,0	40,5	26,0		19		
	15	6	WAL619125	WAL619036	34,5	42,5	28,5	22	14	27	12,0 x 2,0
		8	WAL619126	WAL619037	34,5	43,0	28,5		17		
		10	WAL619127	WAL619038	35,5	44,0	29,5		19		
		12	WAL619128	WAL619039	35,5	43,5	29,5		22		
	18	6	WAL619129	WAL619040	33,5	42,0	28,0	24	14	32	15,0 x 2,0
8		WAL619130	WAL619041	33,5	42,5	28,0		17			
10		WAL619131	WAL619042	34,5	43,5	29,0		19			
12		WAL619132	WAL619043	34,5	43,0	29,0		22			
15		WAL619133	WAL619044	35,5	45,0	30,0		27			
250 (3626)	22	6	WAL619134†	WAL619045†	37,5	46,0	32,0	27	14	36	20,0 x 2,0
		8	WAL619135	WAL619046	37,5	46,5	32,0		17		
		10	WAL619136	WAL619047	38,5	47,5	33,0		19		
		12	WAL619137	WAL619048	38,5	47,0	33,0		22		
		15	WAL619138	WAL619049	39,5	49,0	34,0		27		
		18	WAL619139	WAL619050	39,5	49,5	33,5		32		

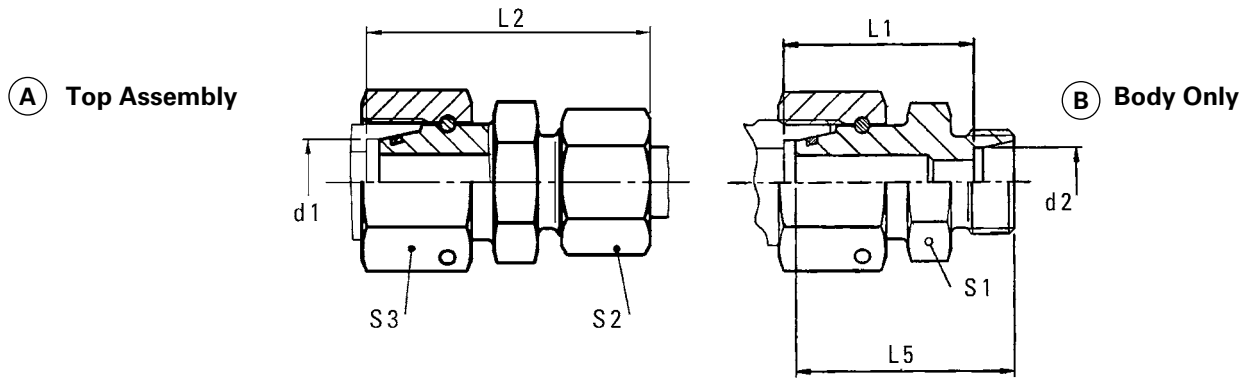
L₂ = approximate length with nut tightened

† = Run-to-order product. Contact your Eaton representative for details.

Swivel reducer

L series

24° Swivel/24°



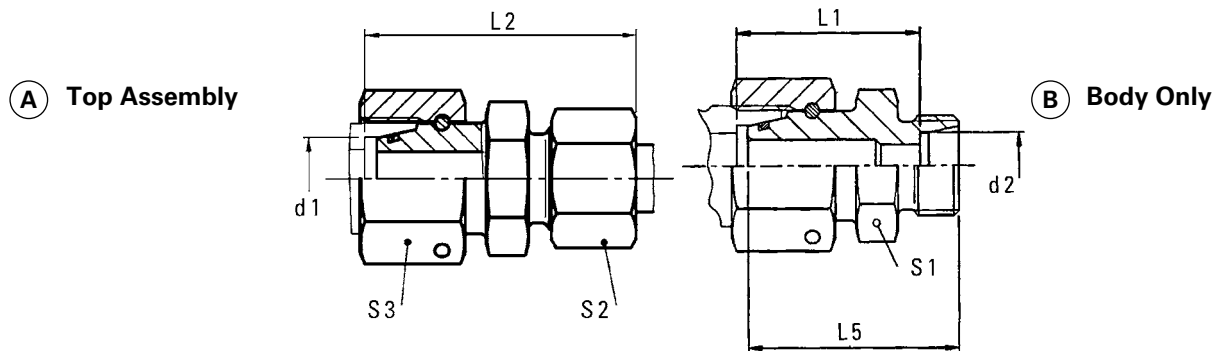
Bar (psi)	Tube O.D.		Ⓐ Part Number	Ⓑ Part Number	L ₅	L ₂	I	S ₁	S ₂	S ₃	O-Ring
	d ₁	d ₂									
250 (3626)	28	6	WAL619140†	WAL619051†	39,5	48,0	34,0	36	14	46	26,0 x 2,0
		8	WAL619141†	WAL619052†	39,5	48,5	34,0		17		
		10	WAL619142	WAL619053	40,5	49,5	35,0		19		
		12	WAL619143	WAL619054	40,5	49,0	35,0		22		
		15	WAL619144	WAL619055	41,5	51,0	36,0		27		
		18	WAL619145	WAL619056	41,5	51,5	35,5		32		
		22	WAL619146	WAL619057	43,5	53,5	37,5		36		
35	35	6	WAL619147†	WAL619058†	41,0	51,0	37,0	46	14	50	32,0 x 2,5
		8	WAL619148†	WAL619059†	41,0	51,5	37,0		17		
		10	WAL619149†	WAL619060†	42,0	52,5	38,0		19		
		12	WAL619150†	WAL619061†	42,0	52,0	38,0		22		
		15	WAL619151	WAL619062	43,0	54,0	39,0		27		
		18	WAL619152	WAL619063	43,0	54,5	38,5		32		
		22	WAL619153	WAL619064	45,0	56,5	40,5		36		
42	42	6	WAL619155†	WAL619066†	44,0	54,5	40,5	50	14	60	38,0 x 2,5
		8	WAL619156†	WAL619067†	44,0	55,0	40,5		17		
		10	WAL619157†	WAL619068†	45,0	56,0	41,5		19		
		12	WAL619158†	WAL619069†	45,0	55,5	41,5		22		
		15	WAL619159†	WAL619070†	46,0	57,5	42,5		27		
		18	WAL619160	WAL619071	46,0	58,0	42,0		32		
		22	WAL619161	WAL619072	48,0	60,0	44,0		36		
28	WAL619162	WAL619073	48,0	60,0	44,0	41					
35	WAL619163	WAL619074	50,0	63,5	43,0	50					

L₂ = approximate length with nut tightened

† = Run-to-order product. Contact your Eaton representative for details.

Swivel reducer S series

24° Swivel/24°



Bar (psi)	Tube O.D.		(A) Part Number	(B) Part Number	L5	L2	L1	S1	S2	S3	O-Ring
	d1	d2									
800 (11603)	8	6	WAL619164	WAL619075	32,5	41,5	27,0	14	17	19	6,0 x 1,5
		10	WAL619165	WAL619076	33,0	42,0	27,5	17	17	22	8,5 x 1,5
	8	WAL619166	WAL619077	33,0	42,0	27,5		19			
630 (9137)	12	6	WAL619167	WAL619078	35,5	44,5	30,0	19	17	24	10,0 x 1,5
		8	WAL619168	WAL619079	35,5	44,5	30,0		19		
		10	WAL619169	WAL619080	35,5	45,0	29,5		22		
	16	6	WAL619174	WAL619085	36,5	46,0	32,0		17		
		8	WAL619175	WAL619086	36,5	46,0	32,0	22	19		
	10	WAL619176	WAL619087	36,5	47,0	31,5		22	30	14,0 x 2,0	
	12	WAL619177	WAL619088	36,5	47,0	31,5		24			
	14	WAL619178	WAL619089	38,5	50,5	33,0	24	27	30	14,0 x 2,0	
420 (6091)	20	6	WAL619179	WAL619090	40,0	50,5	36,0	27	17		
		8	WAL619180	WAL619091	40,0	50,5	36,0		19	20	
		10	WAL619181	WAL619092	40,0	51,0	35,5		22		
		12	WAL619182	WAL619093	40,0	51,0	35,5		24	36	17,3 x 2,4
		14	WAL619183	WAL619094	42,0	54,5	37,0		27		
	16	WAL619184	WAL619095	42,0	54,5	38,5		30			

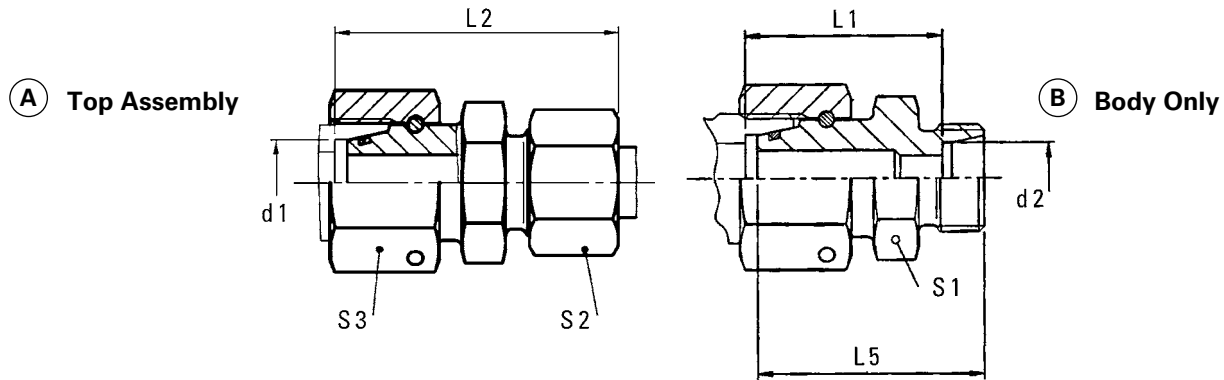
L₂ = approximate length with nut tightened

† = Run-to-order product. Contact your Eaton representative for details.

Swivel reducer

S series

24° Swivel/24°



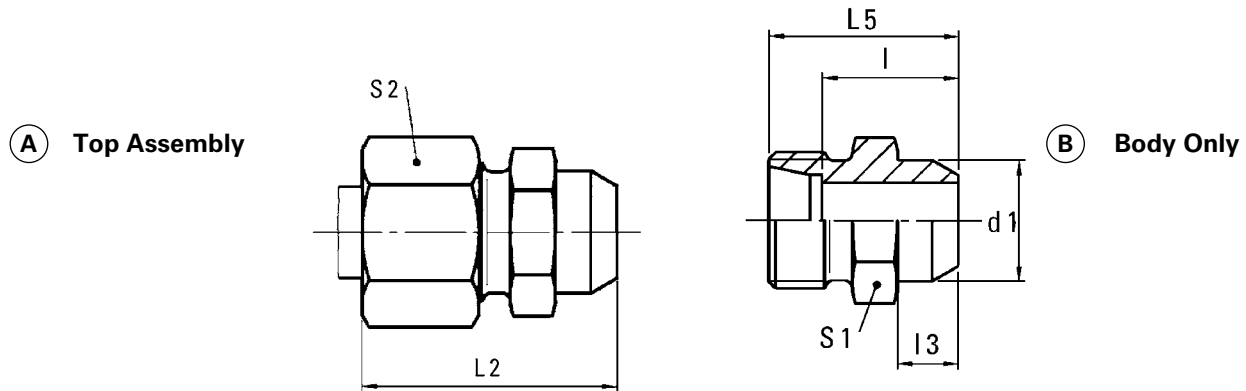
Bar (psi)	Tube O.D.		Ⓐ Part Number	Ⓑ Part Number	L ₅	L ₂	L ₁	S ₁	S ₂	S ₃	O-Ring	
	d ₁	d ₂										
420 (6091)	25	6	WAL619185 [†]	WAL619096 [†]	41	53,0	38,5	36	17	46	22,3 x 2,4	
		8	WAL619186 [†]	WAL619097 [†]	41	53,0	38,5		19			
		10	WAL619187	WAL619098	41	53,5	38,0		22			
		12	WAL619188	WAL619099	41	53,5	38,0		24			
		16	WAL619190	WAL619101	43	57,0	39,0		30			
		20	WAL619191	WAL619102	45	60,0	39,0		36			
400 (5801)	30	6	WAL619192	WAL619103	45	58,5	44,0	41	17	50	27,3 x 2,4	
		8	WAL619193 [†]	WAL619104 [†]	45	58,5	44,0		19			
		10	WAL619194 [†]	WAL619105 [†]	45	59,0	43,5		22			
		12	WAL619195	WAL619106	45	59,0	43,5		24			
		16	WAL619197	WAL619108	47	62,5	44,5		30			
		20	WAL619198	WAL619109	49	65,5	44,5		36			
	38	38	6	WAL619200 [†]	WAL619111 [†]	46	62,0	47,5	60	17	60	35,0 x 2,5
			8	WAL619201 [†]	WAL619112 [†]	46	62,0	47,5		19		
			10	WAL619202 [†]	WAL619113 [†]	46	62,5	47,0		22		
			12	WAL619203	WAL619114	46	62,5	47,0		24		
			16	WAL619205	WAL619116	48	66,0	48,0		30		
			20	WAL619206	WAL619117	50	69,0	48,0		36		
		25	WAL619207	WAL619118	52	72,0	48,5	46				
		30	WAL619208	WAL619119	54	75,0	49,0	50				

L₂ = approximate length with nut tightened

[†] = Run-to-order product. Contact your Eaton representative for details.

Weldable stud

24°/Weld stud



Series	Bar (psi)	Tube O.D.	(A) Part Number	(B) Part Number	L ₂	L ₅	I	l ₃	d ₁	S ₁	S ₂
L	500 (7252)	6	WAL373491	WAL037975	29	21	14,0	7	10	12	14
		8	WAL373492	WAL037976	31	23	16,0	8	12	14	17
		10	WAL373493	WAL037977	33	25	18,0	8	14	17	19
	400 (5801)	12	WAL373494	WAL037978	33	25	18,0	8	16	19	22
		15	WAL373495	WAL037979	37	29	22,0	10	19	22	27
		18	WAL373496	WAL037980	40	31	23,5	10	22	27	32
	250 (3626)	22	WAL373497	WAL037981	45	36	28,5	12	27	32	36
		28	WAL373498	WAL037982	47	38	30,5	12	32	41	41
		35	WAL373499	WAL037983	54	43	32,5	14	40	46	50
		42	WAL373500	WAL037984	58	46	35,0	16	46	55	60
S	800 (11603)	6	WAL373501 [†]	WAL037985 [†]	34	26	19,0	7	11	14	17
		8	WAL373502	WAL037986	36	28	21,0	8	13	17	19
		10	WAL373503	WAL037987	39	30	22,5	8	15	19	22
	630 (9137)	12	WAL373504	WAL037988	41	32	24,5	10	17	22	24
		16	WAL373506	WAL037990	45	35	26,5	10	21	27	30
	420 (6091)	20	WAL373507	WAL037991	51	40	29,5	12	26	32	36
		25	WAL373508	WAL037992	56	44	32,0	12	31	41	46
		30	WAL373509	WAL037993	62	49	35,5	14	36	46	50
		38	WAL373510	WAL037994	69	54	38,0	16	44	55	60

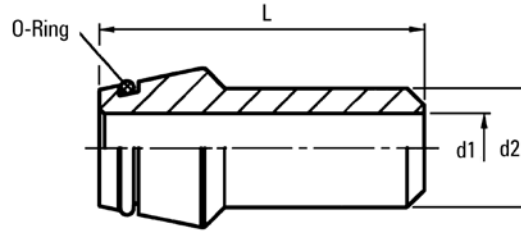
L₂ = approximate length with nut tightened

Body manufactured in weldable quality steel

† = Run-to-order product. Contact your Eaton representative for details.

Welding nipple

24° with seal (NBR)/weld



Tube O.D. d ₂	Bar (psi)	Part Number	d ₁	L	O-Ring
8	400 (5801)	WAL028783†	4	31,0	6,0 x 1,5
10	315 (4569)	WAL028784†	6	32,5	7,5 x 1,5
12	400 (5801)	WAL028785	7	32,5	9,0 x 1,5
16	400 (5801)	WAL028788	10	38,5	12,0 x 2,0
20	250 (3626)	WAL028790	14	44,5	16,3 x 2,4
	400 (5801)	WAL068737	12		
25	250 (3626)	WAL028792	19	49,5	20,3 x 2,4
	315 (4569)	WAL028793	17		
30	250 (3626)	WAL028795	22	52,0	25,3 x 2,4
	315 (4569)	WAL028796†	20		
	400 (5801)	WAL604551†	18		
38	160 (2321)	WAL028797	30	56,5	33,3 x 2,4
	250 (3626)	WAL028798	28		
	315 (4569)	WAL028799†	26		
	400 (5801)	WAL604552†	24		

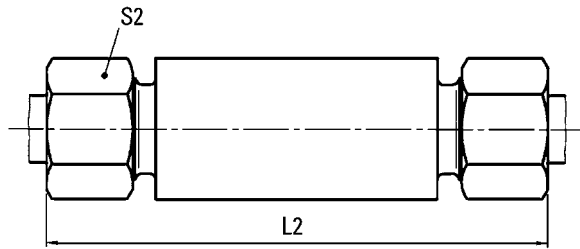
O-ring to be fitted after welding.

† = Run-to-order product. Contact your Eaton representative for details.

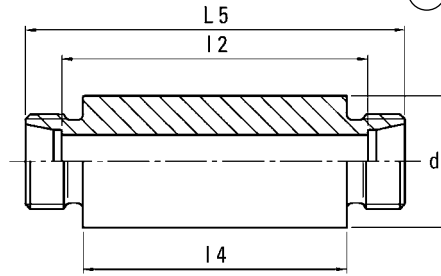
Weldable bulkhead connector

24°/24°

(A) Top Assembly



(B) Body Only



Series	Bar (psi)	Tube O.D.	(A)	(B)	L_2	L_5	l_2	l_4	d	S_2
			Part Number	Part Number						
L	500 (7252)	6	WAL373511 [†]	WAL037995 [†]	85	70	56	50	18	14
		8	WAL373512	WAL037996	85	70	56	50	20	17
		10	WAL373513	WAL037997	87	72	58	50	22	19
	400 (5801)	12	WAL373514	WAL037998	87	72	58	50	25	22
		15	WAL373515	WAL037999	100	84	70	60	28	27
		18	WAL373516	WAL038000	101	84	69	60	32	32
	250 (3626)	22	WAL373517	WAL038001	105	88	73	60	36	36
		28	WAL373518	WAL038002	106	88	73	60	40	41
		35	WAL373519	WAL038003	114	92	71	60	50	50
		42	WAL373520	WAL038004	115	92	70	60	60	60
S	800 (11603)	6	WAL373521 [†]	WAL038005 [†]	89	74	60	50	20	17
		8	WAL373522 [†]	WAL038006 [†]	89	74	60	50	22	19
		10	WAL373523 [†]	WAL038007 [†]	91	74	59	50	25	22
	630 (9137)	12	WAL373524	WAL038008	91	74	59	50	28	24
		16	WAL373526	WAL038010	107	88	71	60	35	30
	420 (6091)	20	WAL373527	WAL038011	114	92	71	60	38	36
		25	WAL373528	WAL038012	120	96	72	60	45	46
		30	WAL373529	WAL038013	126	100	73	60	50	50
		38	WAL373530	WAL038014	133	104	72	60	60	60

L_2 = approximate length with nut tightened

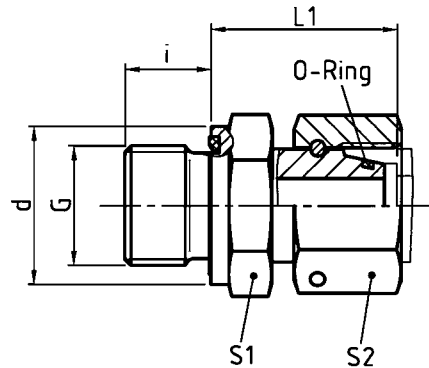
Body manufactured in weldable quality steel

[†] = Run-to-order product. Contact your Eaton representative for details.

Stud standpipe connector

BSPP with seal (NBR)/

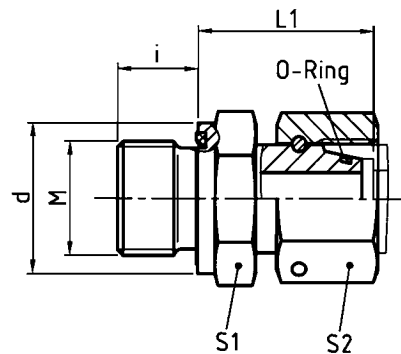
24° swivel with seal (NBR)



Series	Bar (psi)	Tube O.D.	DIN-ISO 228 (R...,DIN 259) G	Part Number	L1	i	d	S1	S2	O-Ring
L	500 (7252)	6	G 1/8 A	WAL063661	24,5	8	13,9	14	17	4,5 x 1,5
		8	G 1/4 A	WAL063662	29,5	12	18,9	19	17	6,0 x 1,5
		10	G 1/4 A	WAL063663	27,5	12	18,9	19	19	8,5 x 1,5
	400 (5801)	12	G 1/4 A	WAL063664	27,5	12	18,9	19	22	10,0 x 1,5
		12	G 3/8 A	WAL063665	34,0	12	21,9	22	22	10,0 x 1,5
		15	G 1/2 A	WAL063666	32,0	14	26,9	27	27	12,0 x 2,0
		18	G 1/2 A	WAL063667	31,5	14	26,9	27	32	15,0 x 2,0
	250 (3626)	22	G 3/4 A	WAL063668	32,5	16	31,9	32	36	20,0 x 2,0
		28	G 1 A	WAL063669	35,0	18	39,9	41	46	26,0 x 2,0
		35	G 1 1/4 A	WAL063670	42,5	20	49,9	50	50	32,0 x 2,5
42		G 1 1/2 A	WAL063671	46,5	22	54,9	55	60	38,0 x 2,5	
S	800 (11603)	6	G 1/4 A	WAL063672	27,0	12	18,9	19	17	4,5 x 1,5
		8	G 1/4 A	WAL063673	29,5	12	18,9	19	19	6,0 x 1,5
		10	G 3/8 A	WAL063674	32,0	12	21,9	22	22	8,5 x 1,5
	630 (9137)	12	G 3/8 A	WAL063675	34,0	12	21,9	22	24	10,0 x 1,5
		12	G 1/2 A	WAL063676	34,5	14	26,9	27	24	10,0 x 1,5
		16	G 1/2 A	WAL063678	37,0	14	26,9	27	30	14,0 x 2,0
	420 (6091)	20	G 3/4 A	WAL063679	43,0	16	31,9	32	36	17,3 x 2,4
		25	G 1 A	WAL063680	48,0	18	39,9	41	46	22,3 x 2,4
	400 (5801)	30	G 1 1/4 A	WAL063681	51,0	20	49,9	50	50	27,3 x 2,4
		38	G 1 1/2 A	WAL063682	60,0	22	54,9	55	60	35,0 x 2,5

Stud standpipe connector

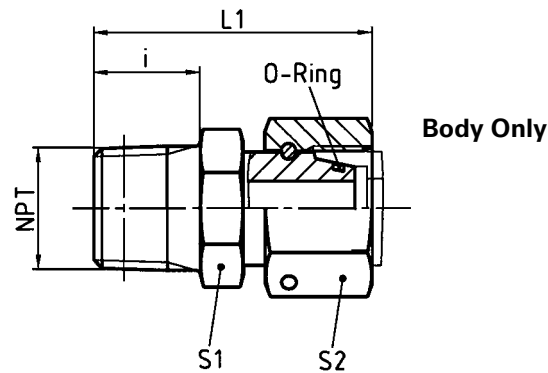
Metric with seal (NBR)/
24° swivel with seal (NBR)



Series	Bar (psi)	Tube O.D.	M	Part Number	L ₁	i	d	S ₁	S ₂	O-Ring
L	500 (7252)	6	M 10 x 1,0	WAL063641	24,5	8	13,9	14	17	4,5 x 1,5
		8	M 12 x 1,5	WAL063642	26,5	12	16,9	17	17	6,0 x 1,5
		10	M 14 x 1,5	WAL063643	27,5	12	18,9	19	19	8,5 x 1,5
	400 (5801)	12	M 16 x 1,5	WAL063644	30,5	12	21,9	22	22	10,0 x 1,5
		15	M 18 x 1,5	WAL063645	31,5	12	23,9	24	27	12,0 x 2,0
		18	M 22 x 1,5	WAL063646	31,5	14	26,9	27	32	15,0 x 2,0
	250 (3626)	22	M 26 x 1,5	WAL063647	32,5	16	31,9	32	36	20,0 x 2,0
		28	M 33 x 2,0	WAL063648	35,0	18	39,9	41	41	26,0 x 2,0
		35	M 42 x 2,0	WAL063649†	42,5	20	49,9	50	50	32,0 x 2,5
42		M 48 x 2,0	WAL063650†	46,5	22	54,9	55	60	38,0 x 2,5	
S	800 (11603)	6	M 12 x 1,5	WAL063651	27,0	12	16,9	17	17	4,5,0 x 1,5
		8	M 14 x 1,5	WAL063652†	29,5	12	18,9	19	19	6,0 x 1,5
		10	M 16 x 1,5	WAL063653†	32,0	12	21,9	22	22	8,5 x 1,5
	630 (9137)	12	M 18 x 1,5	WAL063654†	34,0	12	23,9	24	24	10,0 x 1,5
		16	M 22 x 1,5	WAL063656	37,0	14	26,9	27	30	14,0 x 2,0
		20	M 27 x 2,0	WAL063657	43,0	16	31,9	32	36	17,3 x 2,4
	420 (6091)	25	M 33 x 2,0	WAL063658†	48,0	18	39,9	41	46	22,3 x 2,4
		30	M 42 x 2,0	WAL063659†	51,0	20	49,9	50	50	27,3 x 2,4
	400 (5801)	38	M 48 x 2,0	WAL063660†	60,0	22	54,9	55	60	35,0 x 2,5

† = Run-to-order product. Contact your Eaton representative for details.

Stud standpipe
connector
(body only)
NPT/24° swivel
with seal (NBR)



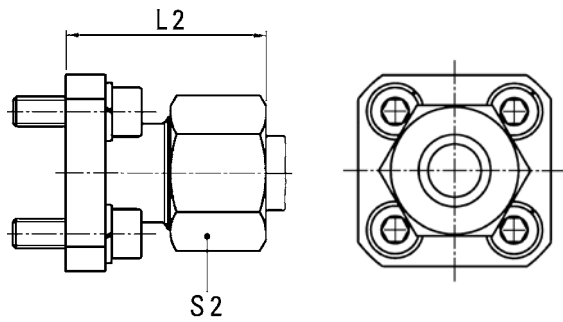
Series	Bar (psi)	Tube O.D.	NPT	Part Number	i	L1	S1	S2	O-Ring
L	250 (3626)	6	1/8 NPT	WAL605721†	10	36,5	11	14	4,5 x 1,5
		8	1/4 NPT	WAL605722†	15	41,5	14	17	6,0 x 1,5
		10	1/4 NPT	WAL605723†	15	40,5	17	19	8,5 x 1,5
		12	3/8 NPT	WAL605724	15	45,5	19	22	10,0 x 1,5
		15	1/2 NPT	WAL605725†	20	48,0	22	27	12,0 x 2,0
	160 (2321)	18	1/2 NPT	WAL605726	20	47,5	27	32	15,0 x 2,0
		22	3/4 NPT	WAL605727†	20	49,0	30	36	20,0 x 2,0
		28	1 NPT	WAL605728†	25	57,5	36	41	26,0 x 2,0
	100 (1450)	35	1 1/4 NPT	WAL605729†	26	65,0	46	50	32,0 x 2,5
		42	1 1/2 NPT	WAL605730†	26	65,0	50	60	38,0 x 2,5
S	630 (9137)	6	1/4 NPT	WAL605731†	15	41,5	17	17	4,5 x 1,5
		8	1/4 NPT	WAL605732†	15	41,5	17	19	6,0 x 1,5
		10	3/8 NPT	WAL605733†	15	44,5	19	22	8,5 x 1,5
		12	3/8 NPT	WAL605734†	15	45,5	19	24	10,0 x 1,5
	400 (5801)	16	1/2 NPT	WAL605736†	20	53,5	24	30	14,0 x 2,0
		20	3/4 NPT	WAL605737†	20	58,0	30	36	17,3 x 2,4
		25	1 NPT	WAL605738†	25	68,0	36	46	22,3 x 2,4
	250 (3626)	30	1 1/4 NPT	WAL605739†	26	73,5	46	50	27,3 x 2,4
		38	1 1/2 NPT	WAL605740†	26	78,0	50	60	35,0 x 2,5

† = Run-to-order product. Contact your Eaton representative for details.

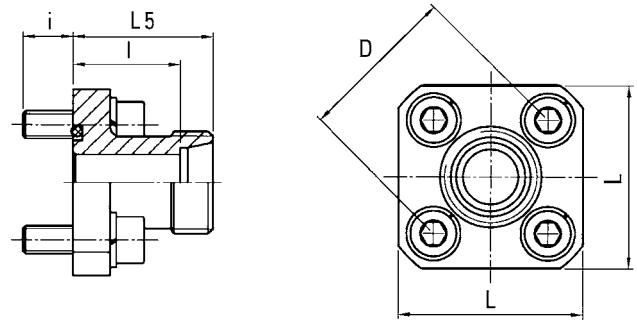
Straight flange connector

Flange/24°

(A) Top Assembly



(B) Body Only



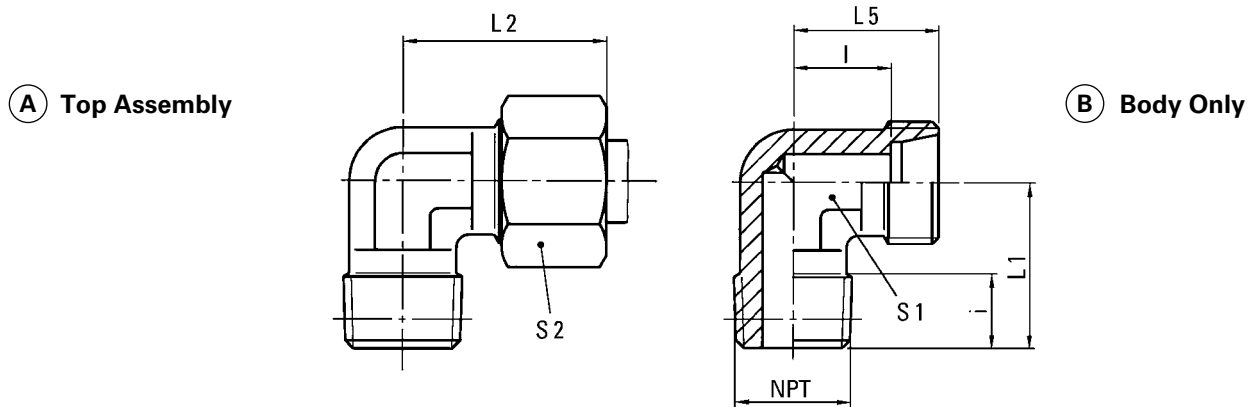
Series	Bar (psi)	Tube O.D.	(A)	(B)	L	L ₂	L ₅	I	i	S ₂	D	
			Part Number	Part Number								
L	315	10	WAL374282	WAL064121	39	37,5	30	23,0	12,5	19		
	(4569)	12	WAL374283	WAL064122	39	37,5	30	23,0	12,5	22		
	250	15	WAL374284	WAL064123	39	38,0	30	23,0	12,5	27	35	
S	315	16	WAL374285 [†]	WAL064125 [†]	39	39,5	30	21,5	12,5	30		
L	100	15	WAL374286 [†]	WAL064124 [†]	42	43,0	35	28,0	12,5	27	40	
		(1450)	18	WAL374287	WAL064126	42	43,5	35	27,5	12,5	32	
		22	WAL374288	WAL064128	42	43,5	35	27,5	12,5	36		
		28	WAL374717	WAL064129	41	51,0	42	34,5	12,5	41		
S	250	20	WAL374718 [†]	WAL064127 [†]	55	51,0	40	29,5	12,5	36	55	
	(3626)											

L₂ = approximate length with nut tightened

† = Run-to-order product. Contact your Eaton representative for details.

90° Stud connector

Male NPT/24°



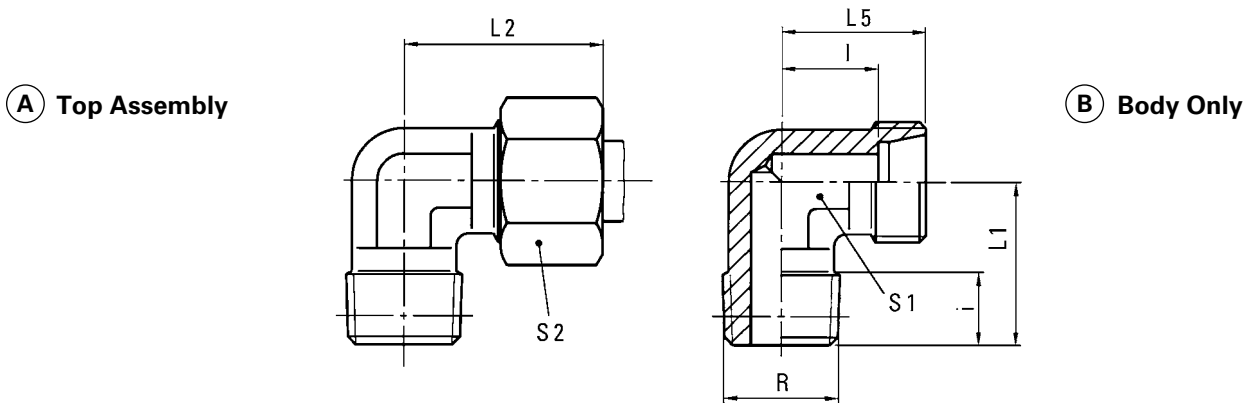
Series	Bar (psi)	Tube O.D.	NPT	(A)	(B)	L ₁	L ₂	L ₅	I	i	S ₁	S ₂
				Part Number	Part Number							
LL	100 (1450)	4	1/8 NPT	WAL038383†	WAL037670†	17	21	15	11,0	10	9	10
		6	1/8 NPT	WAL038385	WAL037672	17	21	15	9,5	10	9	12
		8	1/8 NPT	WAL038386	WAL037673	20	23	17	11,5	10	12	14
L	250 (3626)	6	1/8 NPT	WAL373228	WAL037674	20	27	19	12,0	10	12	14
		8	1/4 NPT	WAL373229	WAL037675	26	29	21	14,0	15	12	17
		10	1/4 NPT	WAL373230	WAL037676	27	30	22	15,0	15	14	19
		12	1/4 NPT	WAL373231	WAL037677	28	32	24	17,0	15	17	22
		12	3/8 NPT	WAL373232	WAL037678	28	32	24	17,0	15	17	22
	15	1/2 NPT	WAL373233	WAL037679	34	36	28	21,0	14	19	27	
	160 (2321)	18	1/2 NPT	WAL373234	WAL037680	36	40	31	23,5	20	24	32
		22	3/4 NPT	WAL373235	WAL037681	42	44	35	27,5	20	27	36
	100 (1450)	28	1 NPT	WAL373236	WAL037682	48	47	38	30,5	23	36	41
S	630 (9137)	6	1/4 NPT	WAL373239	WAL037685	26	31	23	16,0	15	12	17
		8	1/4 NPT	WAL373240	WAL037686	27	32	24	17,0	15	14	19
		10	3/8 NPT	WAL373241	WAL037687	28	34	25	17,5	15	17	22
		12	3/8 NPT	WAL373242	WAL037688	28	38	29	21,5	15	17	24
	400 (5801)	16	1/2 NPT	WAL373244	WAL037690	33	43	33	24,5	17	24	30
		20	3/4 NPT	WAL373245	WAL037691	42	48	37	26,5	20	27	36
		25	1 NPT	WAL373246†	WAL037692†	48	54	42	30,0	23	36	46

L₂ = approximate length with nut tightened

† = Run-to-order product. Contact your Eaton representative for details.

90° BSP connecton

Male BSP taper/24°

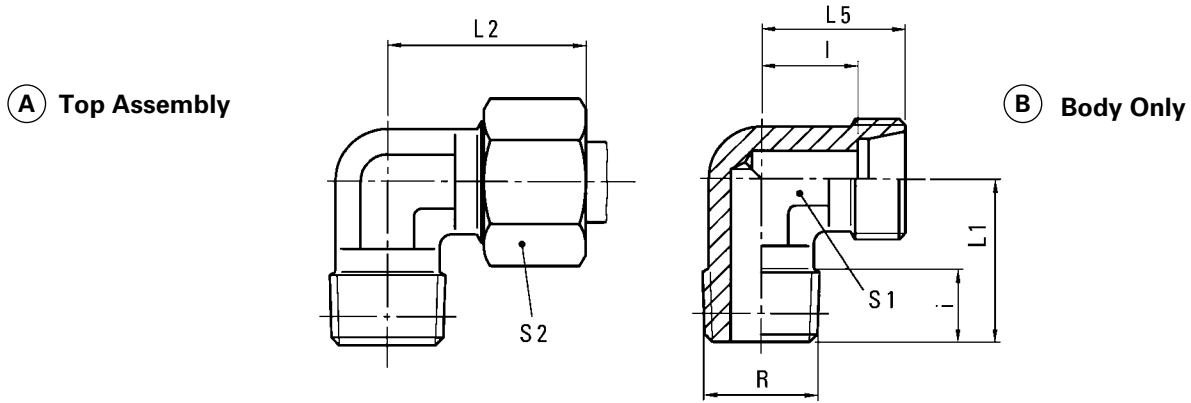


Series	Bar (psi)	Tube O.D.	R	(A)	(B)	L1	L2	L5	I	i	S1	S2
				Part Number	Part Number							
LL	100 (1450)	4	R 1/8 keg	WAL038408	WAL037695	17	21	15	11,0	8	9	10
		6	R 1/8 keg	WAL038410	WAL037697	17	21	15	9,5	8	9	12
		8	R 1/8 keg	WAL038411	WAL037698	20	23	17	11,5	8	12	14
L	250 (3626)	6	R 1/8 keg	WAL373195	WAL037699	20	27	19	12,0	8	12	14
		6	R 1/4 keg	WAL373196	WAL037700	26	29	21	14,0	12	12	14
		8	R 1/4 keg	WAL373197	WAL037701	26	29	21	14,0	12	12	17
		10	R 1/4 keg	WAL373198	WAL037702	27	30	22	15,0	12	14	19
		10	R 3/8 keg	WAL373199	WAL037703	27	30	22	15,0	12	14	19
		12	R 1/4 keg	WAL373200	WAL037704	28	32	24	17,0	12	17	22
		12	R 3/8 keg	WAL373201	WAL037705	28	32	24	17,0	12	17	22
		15	R 1/2 keg	WAL373202	WAL037706	34	36	28	21,0	14	19	27
		160 (2321)	18	R 1/2 keg	WAL373203	WAL037707	36	40	31	23,5	14	24
S	630 (9137)	6	R 1/4 keg	WAL373204	WAL037708	26	31	23	16,0	12	12	17
		8	R 1/4 keg	WAL373205	WAL037709	27	32	24	17,0	12	14	19
		10	R 3/8 keg	WAL373206	WAL037710	28	34	25	17,5	12	17	22
		12	R 3/8 keg	WAL373207	WAL037711	28	38	29	21,5	12	17	24
	400 (5801)	16	R 1/2 keg	WAL373209	WAL037713	32	43	33	24,5	14	24	30

L₂ = approximate length with nut tightened
 † = Run-to-order product. Contact your Eaton representative for details.

90° Metric connector

Male metric taper/24°



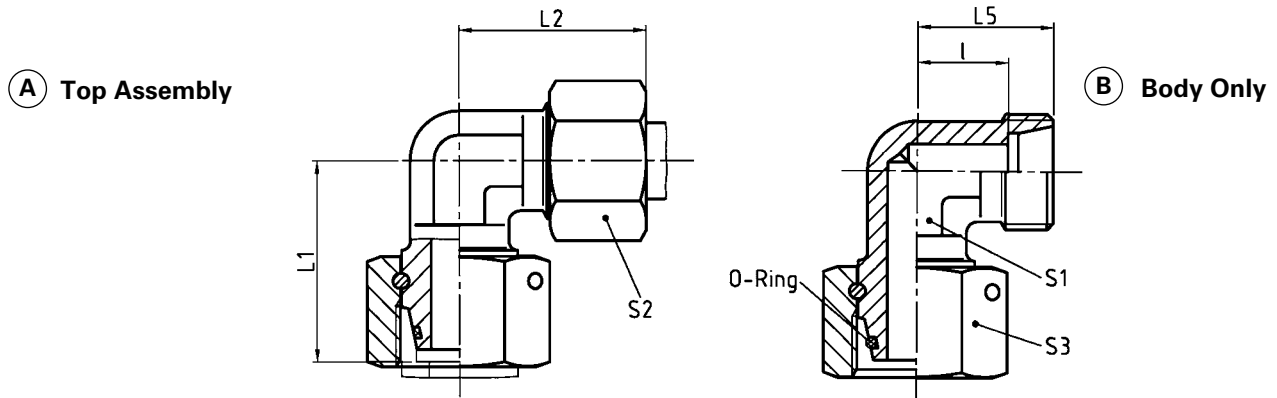
Series	Bar (psi)	Tube O.D.	M	(A)	(B)	L ₁	L ₂	L ₅	I	i	S ₁	S ₂
				Part Number	Part Number							
LL	100 (1450)	4	M 8 x 1,0 keg	WAL038427	WAL037714	17	21	15	11,0	8	9	10
		6	M 10 x 1,0 keg	WAL038429	WAL037716	17	21	15	9,5	8	9	12
		8	M 10 x 1,0 keg	WAL038430	WAL037717	20	23	17	11,5	8	12	14
L	250 (3626)	6	M 10 x 1,0 keg	WAL373213	WAL037718	20	27	19	12,0	8	12	14
		8	M 12 x 1,5 keg	WAL373214	WAL037719	26	29	21	14,0	12	12	17
		10	M 14 x 1,5 keg	WAL373215	WAL037720	27	30	22	15,0	12	14	19
		12	M 16 x 1,5 keg	WAL373216	WAL037721	28	32	24	17,0	12	17	22
		15	M 18 x 1,5 keg	WAL373217	WAL037722	32	36	28	21,0	12	19	27
	160 (2321)	18	M 22 x 1,5 keg	WAL373218	WAL037723	36	40	31	23,5	14	24	32
S	630 (9137)	6	M 12 x 1,5 keg	WAL373219 [†]	WAL037724 [†]	26	31	23	16,0	12	12	17
		8	M 14 x 1,5 keg	WAL373220 [†]	WAL037725 [†]	27	32	24	17,0	12	14	19
		10	M 16 x 1,5 keg	WAL373221 [†]	WAL037726 [†]	28	34	25	17,5	12	17	22
		12	M 18 x 1,5 keg	WAL373222 [†]	WAL037727 [†]	28	38	29	21,5	12	17	24
	400 (5801)	16	M 22 x 1,5 keg	WAL373224 [†]	WAL037729 [†]	32	43	33	24,5	14	24	30

L₂ = approximate length with nut tightened

[†] = Run-to-order product. Contact your Eaton representative for details.

90° Swivel connector

24° Swivel/24°

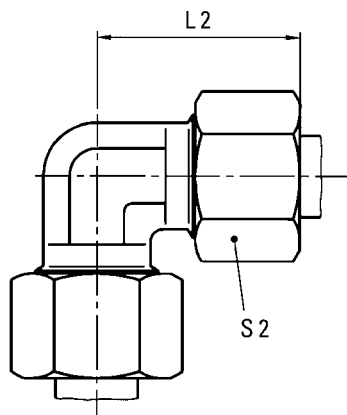


Series	Bar (psi)	Tube O.D.	(A)	(B)	L ₁	L ₂	L ₅	I	S ₁	S ₂	S ₃	O-Ring
			Part Number	Part Number								
L	500 (7252)	6	WAL374555	WAL063877	26,0	29	21	14,0	12	14	17	4,5 x 1,5
		8	WAL374556	WAL063878	27,5	29	21	14,0	12	17	17	6,0 x 1,5
		10	WAL374557	WAL063879	29,0	30	22	15,0	14	19	19	8,5 x 1,5
	400 (5801)	12	WAL372992	WAL063880	29,5	32	24	17,0	17	22	22	10,0 x 1,5
		15	WAL374558	WAL063881	32,5	36	28	21,0	19	27	27	12,0 x 2,0
		18	WAL374559	WAL063882	35,5	40	31	23,5	24	32	32	15,0 x 2,0
	250 (3626)	22	WAL374560	WAL063883	38,5	44	35	27,5	27	36	36	20,0 x 2,0
		28	WAL374561	WAL063884	41,5	47	38	30,5	36	41	46	26,0 x 2,0
35		WAL374562	WAL063885	51,0	56	45	34,5	41	50	50	32,0 x 2,5	
42		WAL374563	WAL063886	56,0	63	51	40,0	50	60	60	38,0 x 2,5	
S	800 (11603)	6	WAL374564	WAL063887	27,0	31	23	16,0	12	17	17	4,5 x 1,5
		8	WAL374565	WAL063888	27,5	32	24	17,0	14	19	19	6,0 x 1,5
		10	WAL374566	WAL063889	30,0	34	25	17,5	17	22	22	8,5 x 1,5
	630 (9137)	12	WAL374567	WAL063890	31,0	38	29	21,5	17	24	24	10,0 x 1,5
		16	WAL374569	WAL063892	36,5	43	33	24,5	24	30	30	14,0 x 2,0
	420 (6091)	20	WAL374570	WAL063893	44,5	48	37	26,5	27	36	36	17,3 x 2,4
		25	WAL374571	WAL063894	50,0	54	42	30,0	36	46	46	22,3 x 2,4
	400 (5801)	30	WAL374572	WAL063895	55,0	62	49	35,5	41	50	50	27,3 x 2,4
38		WAL374573	WAL063896	63,0	72	57	41,0	50	60	60	35,0 x 2,5	

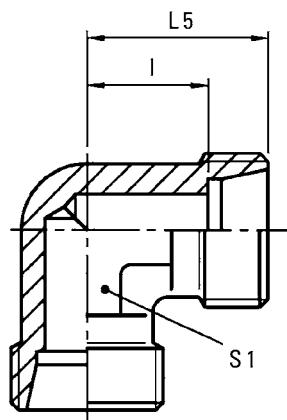
L₂ = approximate length with nut tightened

90° Union connector 24°/24°

(A) Top Assembly



(B) Body Only



Series	Bar (psi)	Tube O.D.	(A) Part Number	(B) Part Number	L ₂	L ₅	I	S ₁	S ₂
LL	100 (1450)	4	WAL038576 [†]	WAL037863 [†]	21	15	11,0	9	10
		6	WAL038578	WAL037865	21	15	9,5	9	12
		8	WAL038579 [†]	WAL037866 [†]	23	17	11,5	12	14
L	500 (7252)	6	WAL373385 [†]	WAL037867 [†]	27	19	12,0	12	14
		8	WAL373386	WAL037868	29	21	14,0	12	17
		10	WAL373387 [†]	WAL037869 [†]	30	22	15,0	14	19
	400 (5801)	12	WAL373388	WAL037870	32	24	17,0	17	22
		15	WAL373389	WAL037871	36	28	21,0	19	27
		18	WAL373390	WAL037872	40	31	23,5	24	32
	250 (3626)	22	WAL373391	WAL037873	44	35	27,5	27	36
		28	WAL373392	WAL037874	47	38	30,5	36	41
35		WAL373393	WAL037875	56	45	34,5	41	50	
42		WAL373394	WAL037876	63	51	40,0	50	60	
S	800 (11603)	6	WAL373395	WAL037877	31	23	16,0	12	17
		8	WAL373396	WAL037878	32	24	17,0	14	19
		10	WAL373397	WAL037879	34	25	17,5	17	22
	630 (9137)	12	WAL373398	WAL037880	38	29	21,5	17	24
		16	WAL373400	WAL037882	43	33	24,5	24	30
	420 (6091)	20	WAL373401	WAL037883	48	37	26,5	27	36
		25	WAL373402	WAL037884	54	42	30,0	36	46
	400 (5801)	30	WAL373403	WAL037885	62	49	35,5	41	50
38		WAL373404	WAL037886	72	57	41,0	50	60	

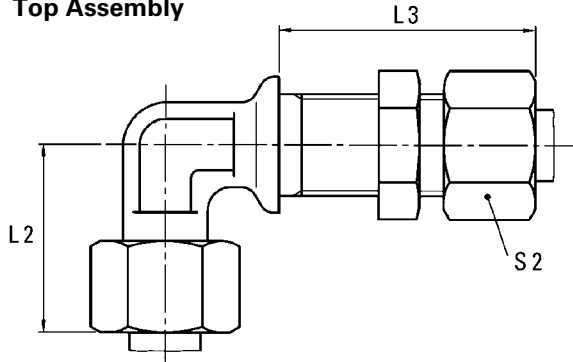
L₂ = approximate length with nut tightened

† = Run-to-order product. Contact your Eaton representative for details.

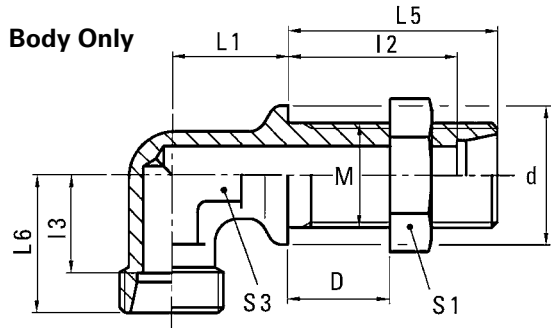
90° Bulkhead connector

24°/24°

(A) Top Assembly



(B) Body Only

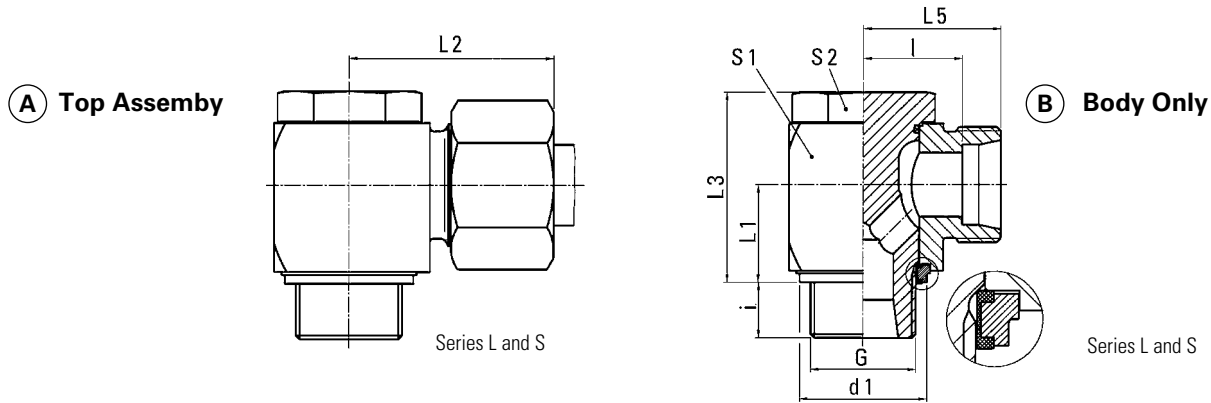


Series	Bar (psi)	Tube O.D.	M	D min.	D max.	(A)	(B)													
						Part Number	Part Number	L1	L2	L3	L5	L6	I2	I3	d	S1*	S2	S3		
L	500 (7252)	6	M 12 x 1,5	4	16	WAL373471	WAL063274	14	27	42	34	19	27,0	12,0	17	17	14	12		
		8	M 14 x 1,5	4	16	WAL373472	WAL024146	17	29	42	34	21	27,0	14,0	19	19	17	12		
		10	M 16 x 1,5	4	16	WAL373473	WAL024127	18	30	43	35	22	28,0	15,0	22	22	19	14		
	400 (5801)	12	M 18 x 1,5	4	16	WAL373474	WAL063773	20	32	44	36	24	29,0	17,0	24	24	22	17		
		15	M 22 x 1,5	4	16	WAL373475	WAL063275	23	36	46	38	28	31,0	21,0	27	30	27	19		
		18	M 26 x 1,5	4	16	WAL373476	WAL063774	24	40	49	40	31	32,5	23,5	32	36	32	24		
	250 (3626)	22	M 30 x 2,0	5	16	WAL373477	WAL063775	30	44	51	42	35	34,5	27,5	36	41	36	27		
		28	M 36 x 2,0	5	16	WAL373478	WAL063776	34	47	52	43	38	35,5	30,5	42	46	41	36		
		35	M 45 x 2,0	5	16	WAL373479†	WAL063777†	39	56	58	47	45	36,5	34,5	50	55	50	41		
42		M 52 x 2,0	5	16	WAL373480†	WAL063778†	43	63	59	47	51	36,0	40,0	60	65	60	50			
S	800 (11603)	6	M 14 x 1,5	4	16	WAL373481	WAL063779	17	31	44	36	23	29,0	16,0	19	19	17	12		
		8	M 16 x 1,5	4	16	WAL373482	WAL063780	18	32	44	36	24	29,0	17,0	22	22	19	14		
		10	M 18 x 1,5	4	16	WAL373483	WAL063781	20	34	46	37	25	29,5	17,5	24	24	22	17		
	630 (9137)	12	M 20 x 1,5	4	16	WAL373484	WAL063782	21	38	47	38	29	30,5	21,5	27	27	24	17		
		16	M 24 x 1,5	4	16	WAL373486	WAL063784	24	43	50	40	33	31,5	24,5	30	32	30	24		
	400 (5801)	20	M 30 x 2,0	5	16	WAL373487	WAL063785	30	48	55	44	37	33,5	26,5	36	41	36	27		
		25	M 36 x 2,0	5	16	WAL373488	WAL063786	34	54	59	47	42	35,0	30,0	42	46	46	36		
		30	M 42 x 2,0	5	16	WAL373489	WAL063244	39	62	64	51	49	37,5	35,5	50	50	50	41		
		38	M 52 x 2,0	5	16	WAL373490	WAL063787	43	72	68	53	57	37,0	41,0	60	65	60	50		

L₂ and L₃= approximate length with nut tightened

† = Run-to-order product. Contact your Eaton representative for details.

Banjo connector with one piece bolt BSPP/24°



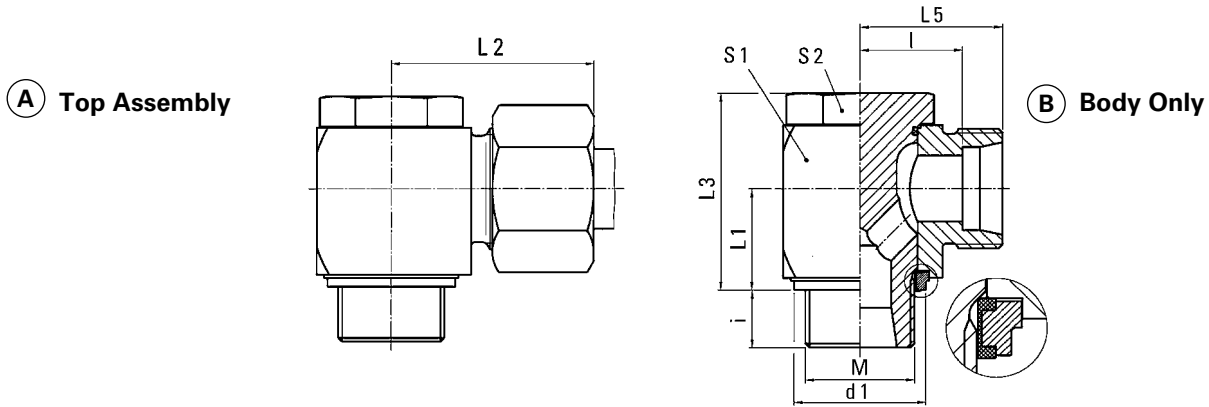
Series	Bar (psi)	Tube O.D.	DIN-ISO 228 (R....DIN 259) G	(A)	(B)	L1	L2	L3	L5	l	i	d1 max	d2	S1	S2
				Part Number	Part Number										
LL*	100 (1450)	4	G 1/8 A	WAL607000	WAL606661	10,0	25,5	21,0	20,0	16,0	8	14,5	14	14	
		6	G 1/8 A	WAL607001	WAL606662	10,0	26,0	21,0	20,0	14,5	8	14,5	14	14	
		8	G 1/8 A	WAL607002	WAL606663	10,0	26,0	21,0	20,0	16,0	8	14,5	14	14	
L	500 (7252)	6	G 1/8 A	WAL607051	WAL606364	10,0	27,5	21,0	20,0	13,0	8	14,9	13,0	14	14
		6	G 1/4 A	WAL606501	WAL606365	13,5	29,5	27,0	22,0	15,0	10	18,9	17,8	19	19
		8	G 1/4 A	WAL607052	WAL606366	13,5	28,5	27,0	21,0	14,0	10	18,9	17,8	19	19
		10	G 1/4 A	WAL607053	WAL606367	13,5	29,5	27,0	22,0	15,0	10	18,9	17,8	19	19
	400 (5801)	12	G 1/4 A	WAL607054	WAL606368	15,5	29,5	30,0	22,0	15,0	10	18,9	17,8	22	19
		12	G 3/8 A	WAL607055	WAL606369	16,0	32,0	32,5	24,5	17,5	10	21,9	22,0	24	22
		15	G 1/2 A	WAL607056	WAL606370	19,5	36,0	43,0	28,0	21,0	14	26,9	26,0	30	27
	250 (3626)	18	G 1/2 A	WAL607057	WAL606371	21,5	36,5	43,0	28,0	20,5	12	26,9	26,0	30	27
		22	G 3/4 A	WAL607058	WAL606372	24,0	43,0	48,0	34,5	27,0	16	32,9	32,0	36	32
		28	G 1 A	WAL607059	WAL606373	30,5	48,0	59,0	39,0	31,5	18	39,9	39,0	46	41
		35	G 1 1/4 A	WAL607060†	WAL606374†	35,5	57,0	70,0	46,0	35,5	20	49,9	49,0	55	50
	500 (7252)	42	G 1 1/2 A	WAL607061†	WAL606375†	40,5	62,5	80,0	51,0	40,0	22	55,9	55,0	65	55
		6	G 1/4 A	WAL607062	WAL606376	13,5	30,5	27,0	23,0	16,0	10	18,9	17,8	19	19
		8	G 1/4 A	WAL607063	WAL606377	13,5	30,5	27,0	23,0	16,0	10	18,9	17,8	19	19
	400 (5801)	10	G 3/8 A	WAL607064	WAL606378	16,0	34,0	32,5	25,5	18,0	10	21,9	22,0	24	22
12		G 3/8 A	WAL607065	WAL606379	16,0	34,0	32,5	25,5	18,0	10	21,9	22,0	24	22	
14		G 1/2 A	WAL607066†	WAL606380†	19,5	39,5	41,0	30,0	22,0	12	26,9	26,0	30	27	
315 (4569)	16	G 1/2 A	WAL607067	WAL606381	21,5	39,5	43,0	30,0	21,5	12	26,9	26,0	30	27	
	20	G 3/4 A	WAL607068	WAL606382	24,0	47,5	48,0	36,5	26,0	16	32,9	32,0	36	32	
	25	G 1 A	WAL607069	WAL606383	30,5	55,0	59,0	43,0	31,0	18	39,9	39,0	46	41	
	30	G 1 1/4 A	WAL607070	WAL606384	35,5	63,0	70,0	50,0	36,5	20	49,9	49,0	55	50	
38	G 1 1/2 A	WAL607071	WAL606385	40,5	71,5	80,0	57,0	41,0	22	55,9	55,0	65	55		

L₂ = approximate length with nut tightened

† = Run-to-order product. Contact your Eaton representative for details.

* = LL Series utilizes a metal port seal.

Banjo connector with one piece bolt Metric/24°



Series	Bar (psi)	Tube O.D.	M	(A)	(B)	L1	L2	L3	L5	I	i	d1 max	d2	S1	S2
				Part Number	Part Number										
LL*	100 (1450)	4	M 8 x 1,0	WAL607024	WAL606678	8,0	22,5	17,0	17,0	13,0	6,0	12,5	12	12	
		6	M 10 x 1,0	WAL607025	WAL607325	10,0	26,0	21,0	20,0	14,5	8,0	14,5	14	14	
		8	M 10 x 1,0	WAL607026	WAL606679	10,0	26,0	21,0	20,0	14,5	8,0	14,5	14	14	
L	500 (7252)	6	M 10 x 1,0	WAL607075	WAL606389	10,0	27,5	21,0	20,0	13,0	8,0	14,9	13,0	14	14
		8	M 12 x 1,5	WAL607076	WAL606390	13,5	28,5	27,0	21,0	14,0	10,0	17,9	17,8	19	19
		10	M 14 x 1,5	WAL607077	WAL606391	13,5	29,5	27,0	22,0	15,0	10,0	19,9	17,8	19	19
	400 (5801)	12	M 16 x 1,5	WAL607078	WAL606392	16,0	32,0	32,5	24,5	17,5	10,0	21,9	21,0	24	22
	315 (4569)	12	M 18 x 1,5	WAL607079	WAL606393	18,5	34,5	36,0	27,0	20,0	10,0	23,9	23,0	24	22
	400 (5801)	15	M 18 x 1,5	WAL607080	WAL606394	18,5	35,0	37,0	27,0	20,0	10,0	23,9	23,0	27	24
	400 (5801)	18	M 22 x 1,5	WAL607081	WAL606395	21,5	36,5	43,0	28,0	20,5	12,0	27,9	27,0	30	27
	250 (3626)	22	M 26 x 1,5	WAL607082	WAL606396	24,0	43,0	48,0	34,5	27,0	16,0	31,9	31,0	36	32
		28	M 33 x 2,0	WAL607083†	WAL606397†	30,5	48,0	59,0	39,0	31,5	18,0	39,9	39,0	46	41
		35	M 42 x 2,0	WAL607084†	WAL606398†	35,5	57,0	70,0	46,0	35,5	20,0	49,9	49,0	55	50
	42	M 48 x 2,0	WAL607085†	WAL606399†	40,5	62,5	80,0	51,0	40,0	22,0	55,9	55,0	65	55	
S	500 (7252)	6	M 12 x 1,5	WAL607086	WAL606400	13,5	30,5	27,0	23,0	16,0	10,0	17,9	17,8	19	19
		8	M 14 x 1,5	WAL607087	WAL606401	13,5	30,5	27,0	23,0	16,0	10,0	19,9	17,8	19	19
		10	M 16 x 1,5	WAL607088†	WAL606402†	16,0	34,0	32,5	25,5	18,0	10,0	21,9	21,0	24	22
	400 (5801)	12	M 18 x 1,5	WAL607089	WAL606403	18,5	35,5	37,0	27,0	19,5	10,0	23,9	23,0	27	24
		16	M 22 x 1,5	WAL607091	WAL606405	21,5	39,5	43,0	30,0	21,5	12,0	27,9	27,0	30	27
	315 (4569)	20	M 27 x 2	WAL607092	WAL606406	24,0	47,5	48,0	36,5	26,0	16,0	32,9	32,0	36	32
	250 (3626)	25	M 33 x 2	WAL607093†	WAL606407†	30,5	55,0	59,0	43,0	31,0	18,0	39,9	39,0	46	41
		30	M 42 x 2	WAL607094†	WAL606408†	35,5	63,0	70,0	50,0	36,5	20,0	49,9	49,0	55	50
		38	M 48 x 2	WAL607095†	WAL606409†	40,5	71,5	80,0	57,0	41,0	22,0	55,9	55,0	65	55

L₂ = approximate length with nut tightened

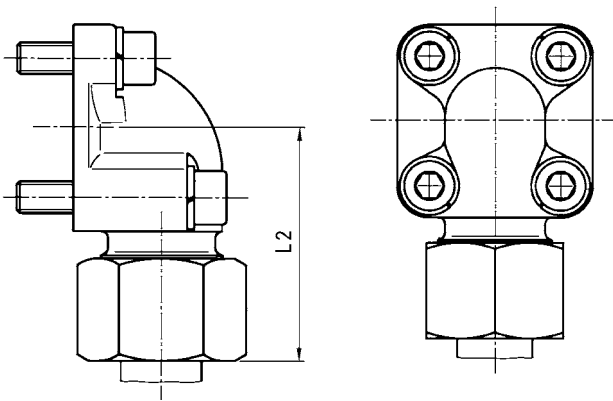
† = Run-to-order product. Contact your Eaton representative for details.

* = LL Series utilizes a metal port seal.

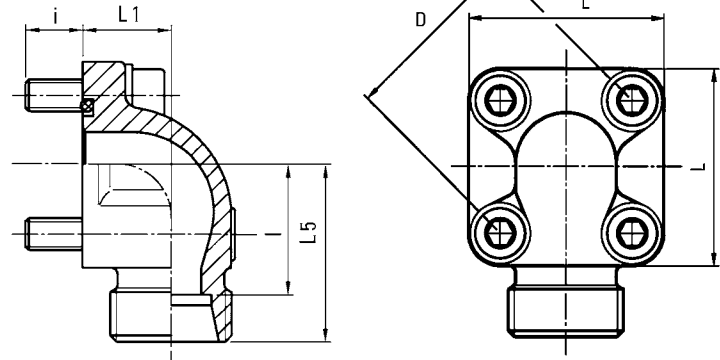
90° Elbow flange connector

Flange/24°

(A) Top Assembly



(B) Body Only



D	Series	Bar (psi)	Tube O.D.	(A)	(B)	L	L ₁	L ₂	L ₅	I	i	S ₂
				Part Number	Part Number							
35	L	315 (4569)	10	WAL374289†	WAL064131†	39	16,5	44,5	37,5	30,5	12,5	19
			12	WAL374290	WAL064132	39	16,5	44,5	37,5	30,5	12,5	22
	S	250 (3626)	15	WAL374291	WAL064135	39	16,5	45,0	37,0	30,0	12,5	27
			16	WAL374292	WAL064137	39	20,0	47,5	38,0	29,5	12,5	30
			20	WAL374293	WAL064139	39	25,0	56,0	45,0	34,5	12,5	36
40	L	100 (1450)	15	WAL374294	WAL064136	42	22,5	45,0	37,0	30,0	12,5	27
			18	WAL374295	WAL064138	42	22,5	46,5	38,0	30,5	12,5	32
			22	WAL374296	WAL064142	42	22,5	46,5	38,0	30,5	12,5	36
			28	WAL374297	WAL064145	42	28,0	49,0	40,0	32,5	12,5	41
			35	WAL374298†	WAL064147†	42	34,0	52,0	41,0	30,5	12,5	50
	S	250 (3626)	20	WAL374299†	WAL064140†	42	22,5	51,0	40,0	29,5	12,5	36
			55	L	100 (1450)	22	WAL374719	WAL064143	58	24,0	52,0	43,0
35	WAL374300	WAL064148				58	32,0	60,0	49,0	38,5	12,5	50
42	WAL374301	WAL064149				58	40,0	60,5	49,0	38,0	12,5	60
S	250 (3626)	20		WAL374302	WAL064141	58	24,0	56,0	45,0	34,5	12,5	36
		25		WAL374303	WAL064144	58	30,0	61,0	49,0	37,0	12,5	46
30	WAL374304†	WAL064146	58	32,0	62,0	49,0	35,5	12,5	50			

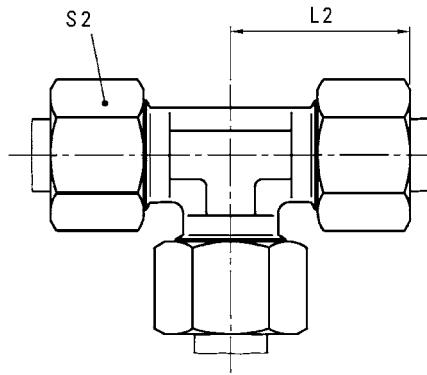
L₂ = approximate length with nut tightened

† = Run-to-order product. Contact your Eaton representative for details.

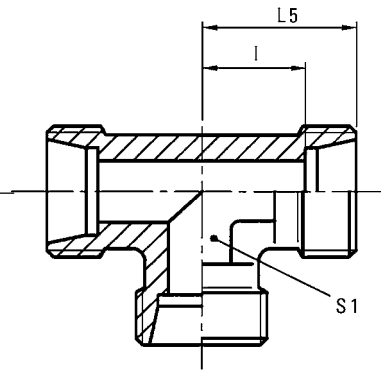
Tee connector

24°/24°/24°

A Top Assembly



B Body Only



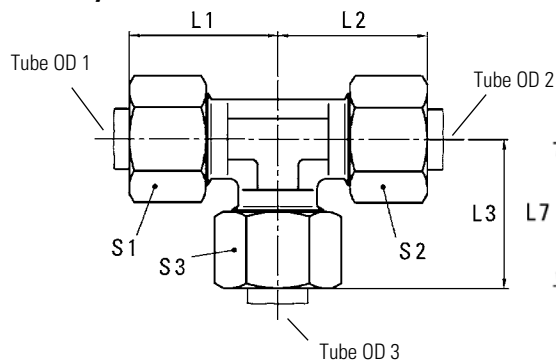
Series	Bar (psi)	Tube O.D.	(A)	(B)	L2	L5	I	S1	S2
			Part Number	Part Number					
LL	100 (1450)	4	WAL038600	WAL037887	21	15	11,0	9	10
		6	WAL038602	WAL037889	21	15	9,5	9	12
		8	WAL038603	WAL037890	23	17	11,5	12	14
L	500 (7252)	6	WAL373408	WAL037891	27	19	12,0	12	14
		8	WAL373409	WAL037892	29	21	14,0	12	17
		10	WAL373410	WAL037893	30	22	15,0	14	19
	400 (5801)	12	WAL373411	WAL037894	32	24	17,0	17	22
		15	WAL373412	WAL037895	36	28	21,0	19	27
		18	WAL373413	WAL037896	40	31	23,5	24	32
	250 (3626)	22	WAL373414	WAL037897	44	35	27,5	27	36
		28	WAL373415	WAL037898	47	38	30,5	36	41
		35	WAL373416	WAL037899	56	45	34,5	41	50
		42	WAL373417	WAL037900	63	51	40,0	50	60
S	800 (11603)	6	WAL373418	WAL037901	31	23	16,0	12	17
		8	WAL373419	WAL037902	32	24	17,0	14	19
		10	WAL373420	WAL037903	34	25	17,5	17	22
	630 (9137)	12	WAL373421	WAL037904	38	29	21,5	17	24
		14	WAL373422	WAL037905	40	30	22,0	19	27
		16	WAL373423	WAL037906	43	33	24,5	24	30
	420 (6091)	20	WAL373424	WAL037907	48	37	26,5	27	36
		25	WAL373425	WAL037908	54	42	30,0	36	46
		30	WAL373426	WAL037909	62	49	35,5	41	50
	400 (5801)	38	WAL373427	WAL037910	72	57	41,0	50	60

L2 = approximate length with nut tightened

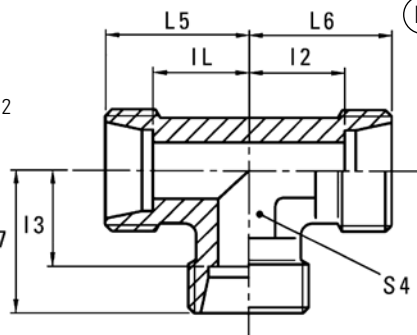
Tee reducer

24°/24°/24°

(A) Top Assembly



(B) Body Only



Series	Bar (psi)	Tube O.D.			(A) Part Number	(B) Part Number	I ₁	I ₂	I ₃	L ₁	L ₂	L ₃	L ₅	L ₆	L ₇	S ₁	S ₂	S ₃	S ₄	
		1	2	3																
L	500 (7252)	10	10	6	WAL374542†	WAL027761†	15,0	15,0	15,0	30	30	30	22	22	22	17	19	14	14	
		10	10	8	WAL374543†	WAL029472†	15,0	15,0	15,0	30	30	30	22	22	22	17	19	17	14	
	400 (5801)	12	12	6	WAL602635	WAL025465	17,0	17,0	17,0	32	32	32	24	24	24	22	22	14	17	
		12	12	8	WAL374544	WAL027710	17,0	17,0	17,0	32	32	32	24	24	24	22	22	17	17	
			12	12	10	WAL374545†	WAL024215†	17,0	17,0	17,0	32	32	32	24	24	24	22	22	19	17
			12	12	15	WAL374546	WAL060044	21,0	21,0	21,0	36	36	36	28	28	28	22	22	27	19
			15	12	12	WAL374547	WAL028939	21,0	21,0	21,0	36	36	36	28	28	28	27	22	22	19
			15	12	15	WAL605187†	WAL024959†	21,0	21,0	21,0	36	36	36	28	28	28	27	22	27	19
			15	15	8	WAL374549	WAL025033	21,0	21,0	21,0	36	36	36	28	28	28	27	27	17	19
			15	15	10	WAL374548	WAL060051	21,0	21,0	21,0	36	36	36	28	28	28	27	27	19	19
			15	15	12	WAL606957	WAL029473	21,0	21,0	21,0	36	36	36	28	28	28	27	27	22	19
			18	12	12	WAL374552†	WAL064007†	23,5	24,0	24,0	40	39	39	31	31	31	32	22	22	24
			18	18	10	WAL374550	WAL029620	23,5	23,5	24,0	40	40	39	31	31	31	32	32	19	24
			18	18	12	WAL374551	WAL028666	23,5	23,5	24,0	40	40	39	31	31	31	32	32	22	24
		18	18	15	WAL605018	WAL066450	23,5	23,5	24,0	40	40	39	31	31	31	32	32	27	24	
(3626)	250	22	22	10	WAL374553†	WAL025467†	27,5	27,5	28,0	44	44	43	35	35	35	36	36	19	27	
		22	22	15	WAL374554	WAL060866	27,5	27,5	28,0	44	44	43	35	35	35	36	36	27	27	
	28	22	22	22	WAL606590†	WAL063243†	30,5	30,5	30,5	47	47	47	38	38	38	41	36	36	36	
		28	28	22	WAL605916†	WAL060956†	30,5	30,5	30,5	47	47	47	38	38	38	41	41	36	36	

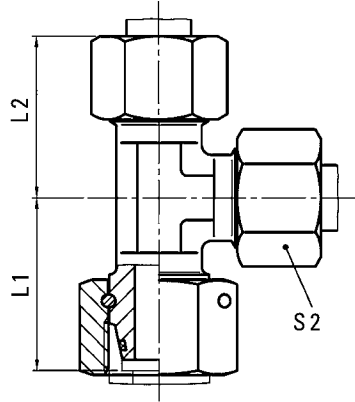
L₁, L₂, and L₃ = approximate length with nut tightened

† = Run-to-order product. Contact your Eaton representative for details.

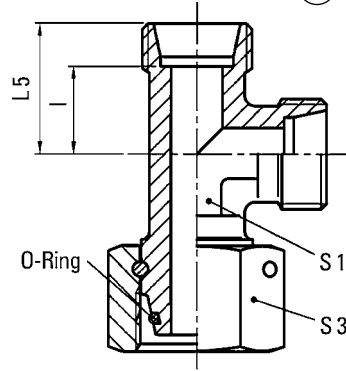
Run tee swivel connector

24°/24° Swivel/24°

(A) Top Assembly



(B) Body Only



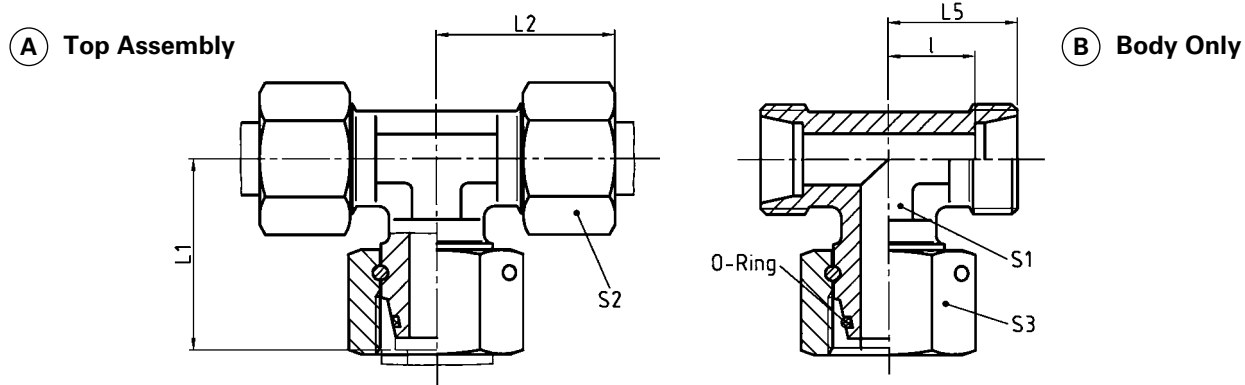
Series	Bar (psi)	Tube O.D.	(A)	(B)	L1	L2	L5	I	S1	S2	S3	O-Ring
			Part Number	Part Number								
L	500 (7252)	6	WAL374594	WAL063917	26,0	29	21	14,0	12	14	17	4,5 x 1,5
		8	WAL374595	WAL063918	27,5	29	21	14,0	12	17	17	6,0 x 1,5
		10	WAL374596	WAL063919	29,0	30	22	15,0	14	19	19	8,5 x 1,5
	400 (5801)	12	WAL372991	WAL063920	29,5	32	24	17,0	17	22	22	10,0 x 1,5
		15	WAL374597	WAL063921	32,5	36	28	21,0	19	27	27	12,0 x 2,0
		18	WAL374598	WAL063922	35,5	40	31	23,5	24	32	32	15,0 x 2,0
	250 (3626)	22	WAL374599	WAL063923	38,5	44	35	27,5	27	36	36	20,0 x 2,0
		28	WAL374600	WAL063924	41,5	47	38	30,5	36	41	46	26,0 x 2,0
35		WAL374601	WAL063925	51,0	56	45	34,5	41	50	50	32,0 x 2,5	
42		WAL374602	WAL063926	56,0	63	51	40,0	50	60	60	38,0 x 2,5	
S	800 (11603)	6	WAL374603	WAL063927	27,0	31	23	16,0	12	17	17	4,5 x 1,5
		8	WAL374604	WAL063928	27,5	32	24	17,0	14	19	19	6,0 x 1,5
		10	WAL374605	WAL063929	30,0	34	25	17,5	17	22	22	8,5 x 1,5
	630 (9137)	12	WAL374606	WAL063930	31,0	38	29	21,5	17	24	24	10,0 x 1,5
		16	WAL374608	WAL063932	36,5	43	33	24,5	24	30	30	14,0 x 2,0
	420 (6091)	20	WAL374609	WAL063933	44,5	48	37	26,5	27	36	36	17,3 x 2,4
		25	WAL374610	WAL063934	50,0	54	42	30,0	36	46	46	22,3 x 2,4
	400 (5801)	30	WAL374611	WAL063935	55,0	62	49	35,5	41	50	50	27,3 x 2,4
38		WAL374612	WAL063936	63,0	72	57	41,0	50	60	60	35,0 x 2,5	

L₂ = approximate length with nut tightened

† = Run-to-order product. Contact your Eaton representative for details.

Branch tee swivel connector

24°/24°/24° Swivel

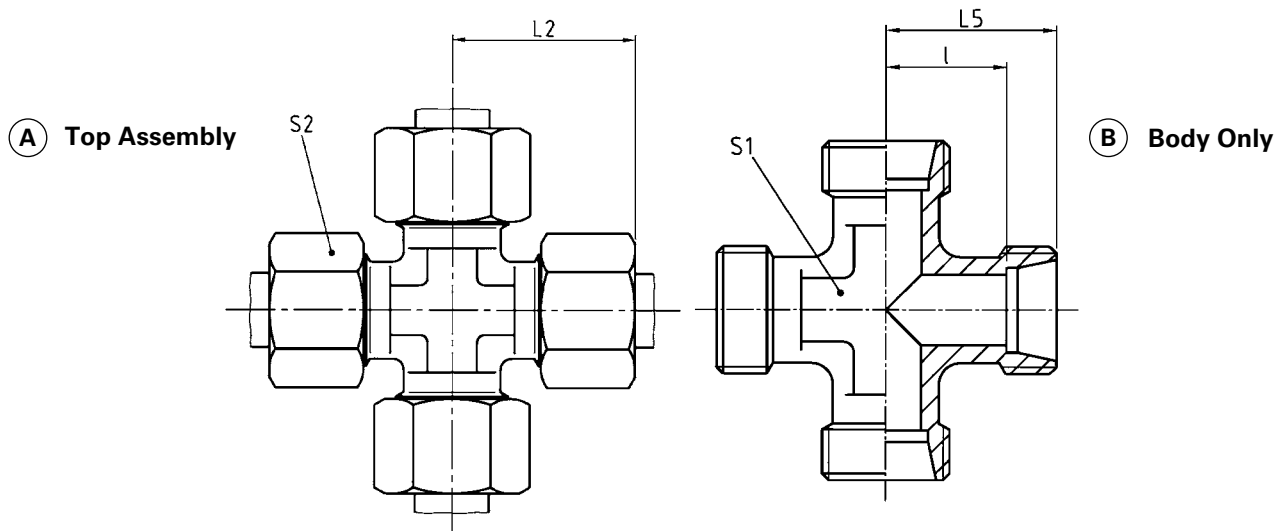


Series	Bar (psi)	Tube O.D.	(A)	(B)	L ₁	L ₂	L ₅	l	S ₁	S ₂	S ₃	O-Ring
			Part Number	Part Number								
L	500 (7252)	6	WAL374574	WAL063897	26,0	29	21	14,0	12	14	17	4,5 x 1,5
		8	WAL374575	WAL063898	27,5	29	21	14,0	12	17	17	6,0 x 1,5
		10	WAL374576	WAL063899	29,0	30	22	15,0	14	19	19	8,5 x 1,5
	400 (5801)	12	WAL374577	WAL063900	29,5	32	24	17,0	17	22	22	10,0 x 1,5
		15	WAL374578	WAL063901	32,5	36	28	21,0	19	27	27	12,0 x 2,0
		18	WAL374579	WAL063902	35,5	40	31	23,5	24	32	32	15,0 x 2,0
	250 (3626)	22	WAL374580	WAL063903	38,5	44	35	27,5	27	36	36	20,0 x 2,0
		28	WAL374581	WAL063904	41,5	47	38	30,5	36	41	46	26,0 x 2,0
35		WAL374582	WAL063905	51,0	56	45	34,5	41	50	50	32,0 x 2,5	
42		WAL374583	WAL063906	56,0	63	51	40,0	50	60	60	38,0 x 2,5	
S	800 (11603)	6	WAL374584	WAL063907	27,0	31	23	16,0	12	17	17	4,5 x 1,5
		8	WAL374585	WAL063908	27,5	32	24	17,0	14	19	19	6,0 x 1,5
		10	WAL374586	WAL063909	30,0	34	25	17,5	17	22	22	8,5 x 1,5
	630 (9137)	12	WAL374587	WAL063910	31,0	38	29	21,5	17	24	24	10,0 x 1,5
		16	WAL374589	WAL063912	36,5	43	33	24,5	24	30	30	14,0 x 2,0
	420 (6091)	20	WAL374590	WAL063913	44,5	48	37	26,5	27	36	36	17,3 x 2,4
		25	WAL374591	WAL063914	50,0	54	42	30,0	36	46	46	22,3 x 2,4
	400 (5801)	30	WAL374592	WAL063915	55,0	62	49	35,5	41	50	50	27,3 x 2,4
		38	WAL374593	WAL063916	63,0	72	57	41,0	50	60	60	35,0 x 2,5

L₁ = approximate length with nut tightened

Equal cross connector

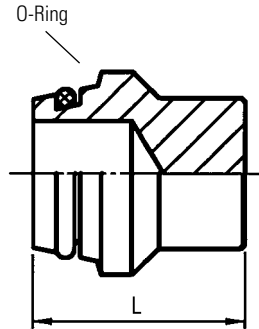
24°/24° /24°/24°



Series	Bar (psi)	Tube O.D.	(A) Part Number	(B) Part Number	L ₂	L ₅	I	S ₁	S ₂
LL	100 (1450)	4	WAL038624†	WAL037911†	21	15	11,0	9	10
		6	WAL038626†	WAL037913†	21	15	9,5	9	12
		8	WAL038627†	WAL037914†	23	17	11,5	12	14
L	500 (7252)	6	WAL373431	WAL037915	27	19	12,0	12	14
		8	WAL373432	WAL037916	29	21	14,0	12	17
		10	WAL373433	WAL037917	30	22	15,0	14	19
	400 (5801)	12	WAL373434	WAL037918	32	24	17,0	17	22
		15	WAL373435	WAL037919	36	28	21,0	19	27
		18	WAL373436	WAL037920	40	31	23,5	24	32
	250 (3626)	22	WAL373437	WAL037921	44	35	27,5	27	36
		28	WAL373438†	WAL037922†	47	38	30,5	36	41
		35	WAL373439†	WAL037923†	56	45	34,5	41	50
42		WAL373440†	WAL037924†	63	51	40,0	50	60	
S	800 (11603)	6	WAL373441†	WAL037925†	31	23	16,0	12	17
		8	WAL373442†	WAL037926†	32	24	17,0	14	19
		10	WAL373443†	WAL037927†	34	25	17,5	17	22
	630 (9137)	12	WAL373444†	WAL037928†	38	29	21,5	17	24
		16	WAL373446	WAL037930	43	33	24,5	24	30
	420 (6091)	20	WAL373447	WAL037931	48	37	26,5	27	36
		25	WAL373448†	WAL037932†	54	42	30,0	36	46
		30	WAL373449†	WAL037933†	62	49	35,5	41	50
	400 (5801)	38	WAL373450†	WAL037934†	72	57	41,0	50	60

L₂ = approximate length with nut tightened

† = Run-to-order product. Contact your Eaton representative for details.



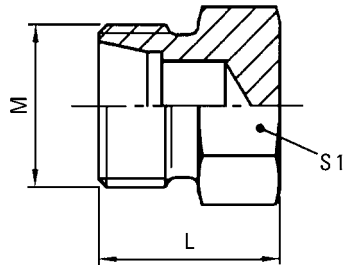
Series	Bar (psi)	Tube O.D.	With O-ring (NBR) Part Number	Without O-ring Part Number	L	O-Ring
LL	100 (1450)	4	WAL612327 [†]	WAL612308	13,5	3,0 x 1,0
		6	WAL612328 [†]	WAL612309 [†]	15,0	5,0 x 1,0
		8	WAL612329 [†]	WAL612310 [†]	15,0	7,0 x 1,0
	800 (11603)	6	WAL612330	WAL612311	17,0	4,5 x 1,5
		8	WAL612331	WAL612312	17,0	6,0 x 1,5
		10	WAL612332	WAL612313	20,0	8,5 x 1,5
	630 (9137)	12	WAL612333	WAL612314	21,0	10,0 x 1,5
	400 (5801)	15	WAL612334	WAL612315	20,0	12,0 x 2,0
	250 (3626)	18	WAL612335	WAL612316	21,0	15,0 x 2,0
		22	WAL612336	WAL612317 [†]	23,0	20,0 x 2,0
		28	WAL612337	WAL612318 [†]	23,0	26,0 x 2,0
		35	WAL612338	WAL612319 [†]	29,0	32,0 x 2,5
42		WAL612339	WAL612320 [†]	30,0	38,0 x 2,5	
S	800 (11603)	6	WAL612330	WAL612311	17,0	4,5 x 1,5
		8	WAL612331	WAL612312	17,0	6,0 x 1,5
		10	WAL612332	WAL612313	20,0	8,5 x 1,5
	630 (9137)	12	WAL612333	WAL612314	21,0	10,0 x 1,5
	16	WAL612341	WAL612322 [†]	24,0	14,0 x 2,0	
	420 (6091)	20	WAL612342	WAL612323 [†]	28,0	17,3 x 2,4
		25	WAL612343	WAL612324 [†]	31,0	22,3 x 2,4
		30	WAL612344	WAL612325 [†]	34,0	27,3 x 2,4
	38	WAL612345	WAL612326	38,0	35,0 x 2,5	

L₂ = approximate length with nut tightened

[†] = Run-to-order product. Contact your Eaton representative for details.

Note: Use with standard nut.

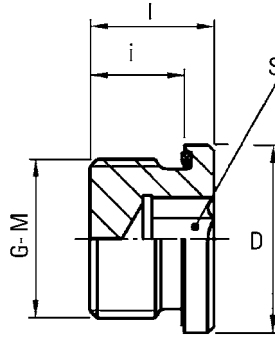
Plug for tube ends 24°



Series	Bar (psi)	Tube O.D.	M	Part Number	L	S ₁
L	500 (7252)	6	M 12 x 1,5	WAL609765	17	14
		8	M 14 x 1,5	WAL609766	17	17
		10	M 16 x 1,5	WAL372285	20	17
	400 (5801)	12	M 18 x 1,5	WAL063311	21	19
		15	M 22 x 1,5	WAL609767	20	24
		18	M 26 x 1,5	WAL061866	21	27
	250 (3626)	22	M 30 x 2,0	WAL609768	23	32
		28	M 36 x 2,0	WAL609769	23	41
		35	M 45 x 2,0	WAL609770 [†]	29	46
		42	M 52 x 2,0	WAL609771	30	55
S		800 (11603)	6	M 14 x 1,5	WAL609772 [†]	17
	8		M 16 x 1,5	WAL609773	17	17
	10		M 18 x 1,5	WAL371395	20	19
	630 (9137)	12	M 20 x 1,5	WAL024051	21	22
		16	M 24 x 1,5	WAL063859	24	27
	420 (6091)	20	M 30 x 2,0	WAL063400	28	32
		25	M 36 x 2,0	WAL063312	31	41
		30	M 42 x 2,0	WAL602420	34	46
		38	M 52 x 2,0	WAL609775	38	55

[†] = Run-to-order product. Contact your Eaton representative for details.

Plug BSPP



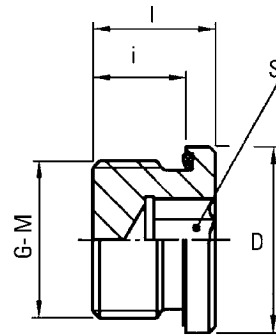
Bar (psi)	DIN-ISO 228 (R..., DIN 259) G-M	Part Number	D	I	i	S
400 (5801)	G 1/8 A	WAL036856	14	12,0	8	5
	G 1/4 A	WAL036858	19	17,0	12	6
	G 3/8 A	WAL036860	22	17,0	12	8
	G 1/2 A	WAL036862	27	19,0	14	10
	G 3/4 A	WAL036864	32	21,0	16	12
	G 1 A	WAL036866	40	22,5	16	17
250 (3626)	G 1 1/4 A	WAL036868	50	22,5	16	22
	G 1 1/2 A	WAL036870	55	22,5	16	24
400 (5801)	G 1 1/4 A	WAL372905	50	28,0	20	22
	G 1 1/2 A	WAL372989	55	30,0	22	24

L₂ = approximate length with nut tightened

† = Run-to-order product. Contact your Eaton representative for details.

Plug metric

Metric parallel



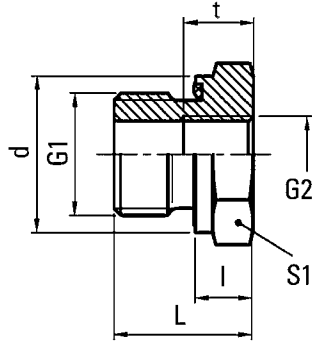
Bar (psi)	DIN-ISO 228 (R..., DIN 259) G-M	Part Number	D	l	i	S
400 (5801)	M 10,0 x 1,0	WAL028302	14	12,0	8	5
	M 12,0 x 1,5	WAL028303	17	17,0	12	6
	M 14,0 x 1,5	WAL028304	19	17,0	12	6
	M 16,0 x 1,5	WAL028305	22	17,0	12	8
	M 18,0 x 1,5	WAL029844	24	17,0	12	8
	M 20,0 x 1,5	WAL028306	26	19,0	14	10
	M 22,0 x 1,5	WAL028307	27	19,0	14	10
	M 26,0 x 1,5	WAL028308	32	21,0	16	12
	M 27,0 x 2,0	WAL028309	32	21,0	16	12
	M 33,0 x 2,0	WAL028310	40	22,5	16	17
250 (3626)	M 42,0 x 2,0	WAL028311	50	22,5	16	22
	M 48,0 x 2,0	WAL028312	55	22,5	16	24
400 (5801)	M 42,0 x 2,0	WAL608445	50	28,0	20	22
	M 48,0 x 2,0	WAL608446 [†]	55	30,0	22	24

L₂ = approximate length with nut tightened

† = Run-to-order product. Contact your Eaton representative for details.

BSPP reducer (short)

BSPP male/BSPP female

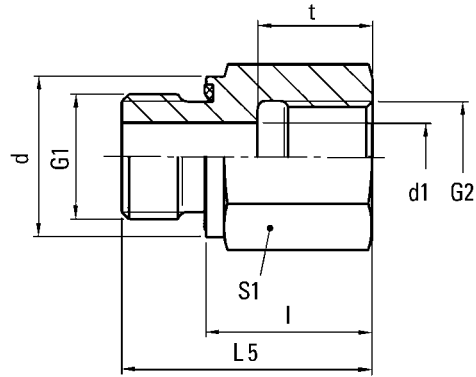


Bar (psi)	DIN-ISO 228 (R..., DIN 259)		Part Number	L	I	d	t	S1
	G1	G2						
630 (9137)	G 3/8 A	G 1/8	WAL606600	22,5	10,5	21,9	8	22
	G 1/2 A	G 1/8	WAL606601	24,0	10,0	26,9	8	27
		G 1/4	WAL606602	24,0	10,0	26,9	12	27
400 (5801)	G 3/4 A	G 1/4	WAL606603	26,0	10,0	31,9	12	32
		G 3/8	WAL606604	26,0	10,0	31,9	12	32
	G 1 A	G 1/4	WAL606605	29,0	11,0	39,9	12	41
		G 3/8	WAL606606	29,0	11,0	39,9	12	41
		G 1/2	WAL606607	29,0	11,0	39,9	14	41
	G 1 1/4 A	G 1/2	WAL606608	32,0	12,0	49,9	14	50
		G 3/4	WAL606609	32,0	12,0	49,9	16	50
	G 1 1/2 A	G 1/2	WAL606610	36,0	14,0	54,9	14	55
		G 3/4	WAL606611	36,0	14,0	54,9	16	55
		G 1	WAL606612	36,0	14,0	54,9	18	55

† = Run-to-order product. Contact your Eaton representative for details.

BSPP reducer (long)

BSPP male/BSPP female

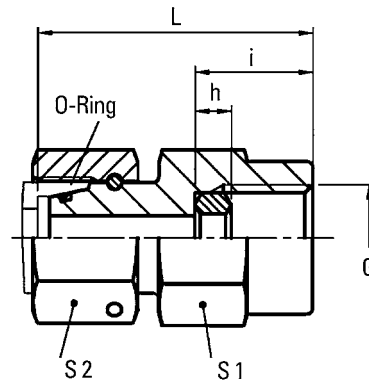


Bar (psi)	G1	G2	Part Number	L5	I	d	d1	t	S1
400 (5801)	G 1/8 A	G 1/4	WAL606613	31	23	13,9	4	17,0	19
		G 3/8	WAL606614	32	24	13,9	4	17,0	24
	G 1/4 A	G 1/8	WAL606615	29	17	18,9	5	12,0	19
		G 3/8	WAL606616	36	24	18,9	5	17,0	24
		G 1/2	WAL606617	40	28	18,9	5	20,0	30
	G 3/8 A	G 3/4	WAL606618	43	31	18,9	5	22,0	36
		G 1/4	WAL606619	36	24	21,9	8	17,0	22
		G 1/2	WAL606620	41	29	21,9	8	20,0	30
	G 1/2 A	G 3/4	WAL606621	44	32	21,9	8	22,0	36
		G 3/8	WAL606622	37	23	26,9	12	17,0	27
		G 3/4	WAL606623	46	32	26,9	12	22,0	36
			G 1	WAL606624	49	35	26,9	12	24,5
250 (3626)	G 1/2 A	G 1 1/4	WAL606625†	53	39	26,9	12	26,5	55
400 (5801)	G 3/4 A	G 1/2	WAL606626	43	27	31,9	16	20,0	32
		G 1	WAL606627	51	35	31,9	16	24,5	41
250 (3626)	G 3/4 A	G 1 1/4	WAL606628	55	39	31,9	16	26,5	55
		G 1 1/2	WAL606629	57	41	31,9	16	28,5	60
400 (5801)	G 1 A	G 3/4	WAL606630	49	31	39,9	20	22,0	41
250 (3626)	G 1 A	G 1 1/4	WAL606631	57	39	39,9	20	26,5	55
		G 1 1/2	WAL606632	59	41	39,9	20	28,5	60
400 (5801)	G 1 1/4 A	G 1	WAL606633	53	33	49,9	25	24,5	50
250 (3626)	G 1 1/4 A	G 1 1/2	WAL606634	60	40	49,9	25	28,5	60
		G 1 1/4	WAL606635	58	36	54,9	32	26,5	55

† = Run-to-order product. Contact your Eaton representative for details.

Swivel gauge connector

24° Swivel/BSPP



Series	Bar (psi)	Tube O.D.	G	Part Number	L	i	h	S ₁	S ₂	O-Ring
L	(7252)	6	G 1/4	WAL605748	38,0	14,5	4,5	19	14	4,5 x 1,5
	(7252)	8	G 1/4	WAL066353	38,0	14,5	4,5	19	17	6,0 x 1,5
		10	G 1/4	WAL605749	39,5	14,5	4,5	19	19	8,5 x 1,5
	400 (5801)	12	G 1/4	WAL605750	40,5	14,5	4,5	19	22	10,0 x 1,5
S	630 (9137)	6	G 1/2	WAL605751 [†]	45,0	20,0	5,0	27	17	4,5 x 1,5
		8	G 1/2	WAL605752 [†]	45,0	20,0	5,0	27	19	6,0 x 1,5
		10	G 1/2	WAL605753	47,0	20,0	5,0	27	22	8,5 x 1,5
		12	G 1/2	WAL066313	47,5	20,0	5,0	27	24	10,0 x 1,5

[†] = Run-to-order product. Contact your Eaton representative for details.

Pre-assembly tooling

WALPro[†]



Series	Tube O.D.	Part Number
LL	4	WAL029250
	6	WAL029252
	8	WAL029253
L	6	WAL029254
	8	WAL029255
	10	WAL029256
	12	WAL029257
	15	WAL029258
	18	WAL029259
	22	WAL029260
	28	WAL029261
	35	WAL029262
	42	WAL029263
	S	6
8		WAL029265
10		WAL029266
12		WAL029267
16		WAL029269
20		WAL029270
25		WAL029271
30		WAL029272
38		WAL029273

† = Run-to-order product. Equipment and Tooling are quote to order items.
Contact your Eaton representative for details.

Pre-assembly tooling

WALRing®†



Series	Tube O.D.	Part Number
L	6	WAL624967
	8	WAL624969
	10	WAL624971
	12	WAL624973
	15	WAL624974
	18	WAL624976
	22	WAL624978
	28	WAL624980
	35	WAL624982
	42	WAL624984
S	6	WAL624966
	8	WAL624968
	10	WAL624970
	12	WAL624972
	16	WAL624975
	20	WAL624977
	25	WAL624979
	30	WAL624981
	38	WAL624983

† = Run-to-order product. Equipment and Tooling are quote to order items.
Contact your Eaton representative for details.

Automated and manual pre-assembly machines

For WALPro^{®†} and WALRing^{®†}



Part Number
WAL625034

Weight (kg) = 220
Dimensions (mm) = 850 x 275 x 990
Tube Range = 6mm to 42mm



Part Number
WAL624423

Weight (kg) = 29
Dimensions (mm) = 400 x 170 x 500 kg



WALPro[®] Tooling



WALRing[®] Tooling

Series	Tube O.D.	Pre Assembly Adapter Part Number	Backing Plate Part Number	Pre Assembly Adapter Part Number	Backing Plate Part Number
L	6	WAL028382	WAL608363	WAL624550	WAL608363
	8	WAL028383	WAL608364	WAL624551	WAL608364
	10	WAL028384	WAL608365	WAL624552	WAL608365
	12	WAL028385	WAL608366	WAL624553	WAL608366
	15	WAL028386	WAL608367	WAL624554	WAL608367
	18	WAL028387	WAL608368	WAL624555	WAL608368
	22	WAL028388	WAL608369	WAL624556	WAL608369
	28	WAL028389	WAL608370	WAL624557	WAL608370
	35	WAL028390	WAL608371	WAL624558	WAL608371
	42	WAL028391	WAL608372	WAL624559	WAL608372
S	6	WAL028392	WAL608363	WAL624560	WAL608363
	8	WAL028393	WAL608364	WAL624561	WAL608364
	10	WAL028394	WAL608365	WAL624562	WAL608365
	12	WAL028395	WAL608366	WAL624563	WAL608366
	16	WAL028397	WAL608374	WAL624564	WAL608374
	20	WAL028398	WAL608375	WAL624565	WAL608375
	25	WAL028399	WAL608376	WAL624566	WAL608376
	30	WAL028400	WAL608377	WAL624567	WAL608377
	38	WAL028401	WAL608378	WAL624568	WAL608378

† = Run-to-order product. Equipment and Tooling are quote to order items. Contact your Eaton representative for details.

Machine and tooling

WALFORMplus[†]



Part Number
WAL626385

Machine Type= MEG-WF385Xplus
Weight (Kg)= 251
Dimensions B x H x T (mm) = 850x275x990
Voltage standard (V)= 400 AC
Tube Range= 6mm-42mm

WALFORMplus[®]

Tube & Wall Thickness Chart

Tube O.D.	Well Thickness [mm]								
	1	1,5	2	2,5	3	3,5	4	5	6
6	+								
6	+								
10	+								
12	+	•							
15		•	•	•					
16			•	•					
18			•	•					
20			•	•					
22			•	•					
25			•	•					
28			•	•	•				
30				•	•				
35				•	•				
38					•		•		
42					•	•	•		

- Reshaping without internal support
- Reshaping with internal support
- + With adapter ring

[†] = Please contact your Eaton representative for details on WALFORMplus equipment to ensure proper machine part numbers and tooling are selected based on tube sizing, wall thickness and power requirements.

Tooling

WALFORMplus®†

Clamping jaws for
WALFORMplus steel St 37.4/52.4
Spannbacken für
WALFORMplus Stahl St 37.4/52.4
Mâchoires de serrage pour
WALFORMplus acier St 37.4/52.4



Reshaper for
WALFORMplus steel St 37.4/52.4
Formstutzen für
WALFORMplus Stahl St 37.4/52.4
Outil de formage pour
WALFORMplus acier St 37.4/52.4



without internal support ohne
Innenabstützung sans support
intérieur



without internal support mit
Innenabstützung avec support
intérieur

Tube OD Rohr-AD Tube Ø ext. [mm]	Wall thickness [mm]			Wandstärke [mm]			Epaisseur de paroi [mm]		
	1	1,5	2	2,5	3	3,5	4	5	6
	Reference			Best.-Nr.			Réf.		
6		WAL615765							
8		WAL615766							
10		WAL615767							
12		WAL615768							
15		WAL615769							
16			WAL615770				WAL615770		
18			WAL615771						
20			WAL615772						
22			WAL615773						
25			WAL615774						
28			WAL615775						
30				WAL615776			WAL615776		
35				WAL615777			WAL615777		
38					WAL615778		WAL615778		
42					WAL615779				

Tube OD Rohr-AD Tube Ø ext. [mm]	Wall thickness [mm]			Wandstärke [mm]			Epaisseur de paroi [mm]		
	1	1,5	2	2,5	3	3,5	4	5	6
	Reference			Best.-Nr.			Réf.		
6		WAL615820							
8		WAL615821	WAL615822	WAL625325					
10		WAL615823	WAL615824	WAL615825	WAL615826				
12		WAL615827	WAL615830	WAL615831	WAL615832				
15		WAL615833	WAL615836	WAL615839					
16			WAL615842	WAL615845	WAL615848		WAL615849		
18			WAL615850	WAL615853	WAL615856				
20			WAL615857	WAL615860	WAL615863		WAL615864		
22			WAL615865	WAL615995	WAL615868	WAL615869			
25			WAL615870	WAL615873	WAL615876	WAL615877	WAL615878	WAL615994	
28			WAL615879	WAL615882	WAL615885	WAL615888			
30				WAL615889	WAL615892		WAL615895		WAL615896
35				WAL624009	WAL615897		WAL615900	WAL615901	
38					WAL615902		WAL615905	WAL615906	WAL615907
42					WAL615908	WAL615911	WAL615914		

Reshaping without internal support
Umformung ohne Innenabstützung
Formage sans support intérieur

Reshaping with internal support
Umformung mit Innenabstützung
Formage avec support intérieur

Materials according to new standards
see B12.

Werkstoffe nach neuen Standards
siehe B12.

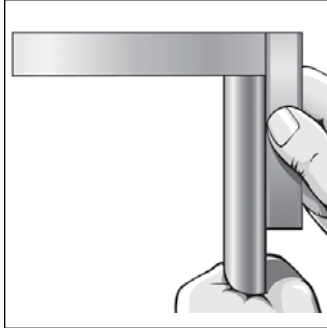
Matériaux d'après les nouveaux
standards voir B12.

For more information on additional WALFORMplus tooling options and machines, please refer to Eaton Walterscheid catalog E-MEFI-MC001-M2.

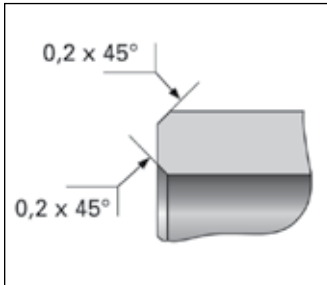
Assembly instructions

WALPro®

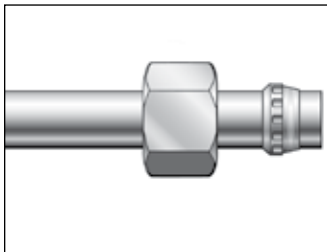
1. Cut tube at right angle. An angular deviation of 1/2 deg is acceptable. Do not use pipe cutters or cut-off wheels as the cause severe burring or product a sloping cut. It is also recommended to cut approx 1/2" of tube from the manufactured cut end due to shipping related damage.



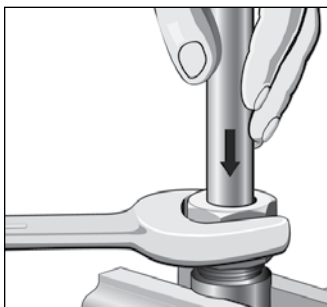
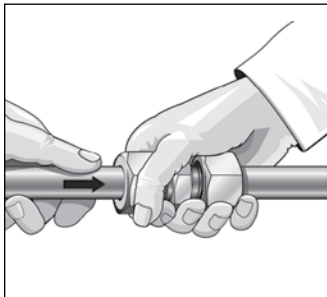
2. Lightly deburr the tube ends and clean the tube. The maximum permitted chamfer is 0.02 x 45 deg. The clamping area must be clean and free of any chips, dirt, grease, oil and paint.



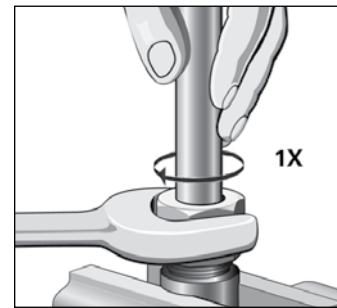
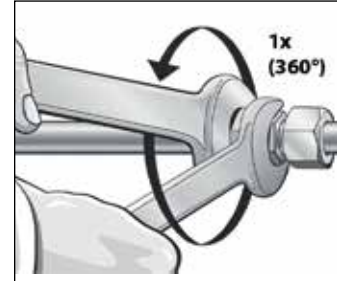
3. Slide the WALPro nut and ring onto the tube.



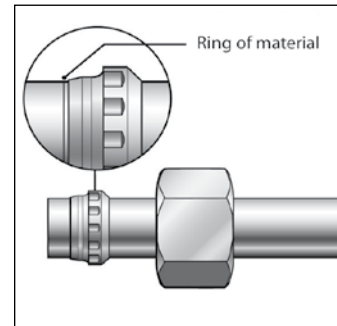
4. Press the tube completely into the fitting body and lightly tighten until a noticeable increase in torque is felt. Difficult mounting conditions or larger sizes may require the use of a vise.



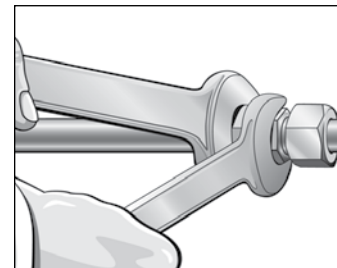
5. Tighten the nut by one revolution. Be sure to hold the body in place using another wrench or vise. Reducing the number of turns will reduce the working pressure and service life of the connection.



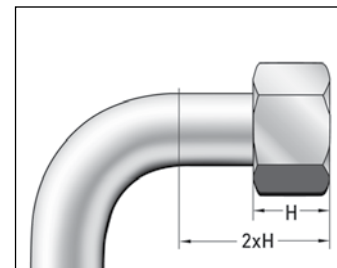
6. Release the connection and check for proper penetration of the cutting edge. A ring of tube material should fill the space in front of the profile ring. The profile ring may spin, but should not be able to move axially. If the ring can move axially, re-tighten more to ensure a proper seal.



7. Reassemble the connection using the same force as final assembly. This should be done each time the connection is reassembled.



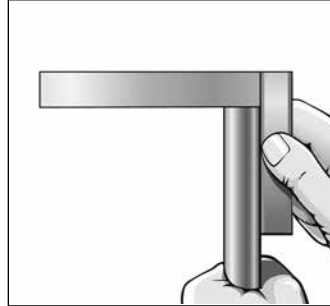
Note: For tube bends, the length of straight tube before the bend must be at least twice the nut length.



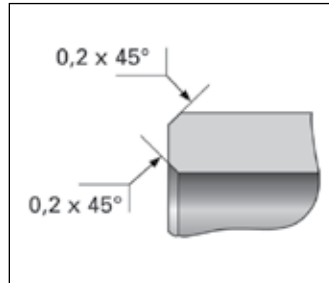
Assembly instructions

WALRing®

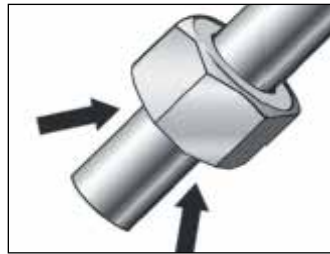
1. Cut tube at right angle. An angular deviation of 1/2 deg is acceptable. Do not use pipe cutters or cut-off wheels as the cause severe burring or product a sloping cut. It is also recommended to cut approx 1/2" of tube from the manufactured cut end due to shipping related damage.



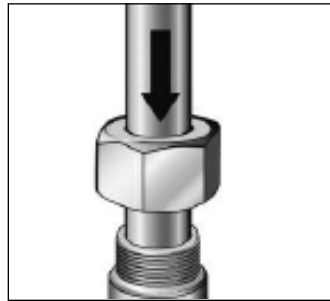
2. Lightly deburr the tube ends and clean the tube. The maximum permitted chamfer is 0.02 x 45 degrees. The clamping area must be clean and free of any chips, dirt, grease, oil and paint.



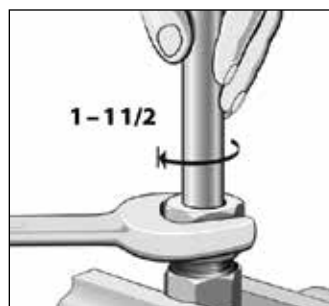
3. Slide the WALRing system nut onto the tube.



4. Press the tube completely into the fitting body and tighten the WALRing system nut hand tight until a noticeable increase in torque is felt. Difficult mounting conditions or larger sizes may require the use of a vise.



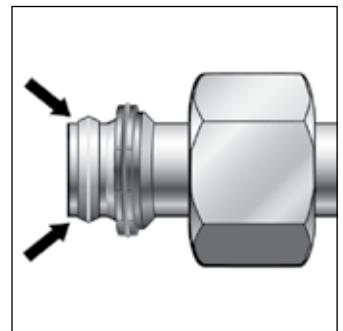
5. Tighten the nut by 1 to 1.5 revolutions. Be sure to hold the body in place using another wrench or vise. Reducing the number of turns will reduce the working pressure and service life of the connection.



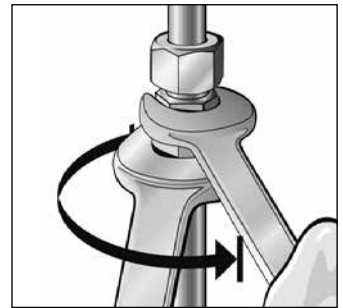
6. Loosen the system nut and check for proper penetration of the cutting edge. A ring of displaced material should be visible in front of the support ring. If the ring of material holds the support ring securely on the tube, the assembly is correct. If the support ring is removable, repeat the procedure and apply a greater amount of force. A small degree of axial movement and spinning of the support ring is acceptable.



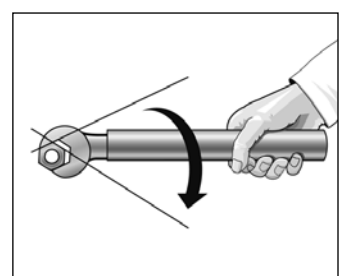
7. Install the captive seal on the tube completely. Ensure no damage or spinning of the captive seal occurs during this process. Use only Eaton Walterscheid captive seals for ensured performance.



8. Tighten the nut to the point where a noticeable increase in force is clearly detected. Be sure to hold the body firmly.



9. Tighten the nut by an additional 1/6 turn (one hex flat).



Eaton
Hydraulics Group USA
14615 Lone Oak Road
Eden Prairie, MN 55344
USA
Tel: 952-937-9800
Fax: 952-294-7722
www.eaton.com/hydraulics

Eaton
Hydraulics Group Europe
Route de la Longeraie 7
1110 Morges
Switzerland
Tel: +41 (0) 21 811 4600
Fax: +41 (0) 21 811 4601

Eaton
Hydraulics Group Asia Pacific
Eaton Building
No.7 Lane 280 Linhong Road
Changning District, Shanghai
200335 China
Tel: (+86 21) 5200 0099
Fax: (+86 21) 2230 7240